

PoppinSpaces // Work



POPPINSPACES // WORK

PoppinSpaces is a flexible system of walls to give your team a better way to work. One click, your walls ship!

Want a distraction-free space for your thoughts? Hive, Hone, and Hustle Spaces add definition to your open-plan office with non-load-bearing walls designed for private work. These walls create a semi-enclosed space that supports solo work for teams of any size to keep their head in the game. Choose from semi-private and private panel layouts that offer your ideal level of visual privacy and maintaining sight lines. Acoustic panels that reduce echo and reverberation can be used on any pre-assembled PoppinSpaces so conversations can be more private.

Mix and match with other PoppinSpaces to create your ideal workspace.

Bells + Whistles

- Each Hive Space has two 69.5 sq. ft. sections that seat 2 people on each side of the dividing center wall
- In Hone Space, each 23 sq. ft. section seats 1 person
- In Hustle Space, each 34.5 sq. ft. section seats 1 person
- Tempered glass panels are available in clear or opaque white (made with ceramic white coloring)
- Use dry erase markers to take notes on the glass panels
- Made from 50% recycled PET, the acoustic panels help reduce echo and reverberation
- Acoustic panels have a simple, engraved pattern to add texture, elevate aesthetics, and create visual privacy
- Frames are made of powder-coated aluminum with a matte, textured finish
- Optional PET ceiling baffles can be added to PoppinSpaces to further reduce sound echo and reverberation while creating a comfortable, warm, and enclosed setting. Single PET baffle dimensions: 55" L x 1" W x 4" H, 1.4 lbs.
- The PoppinSpaces Collection has achieved Indoor Advantage Gold Certification
- Meets or exceeds ANSI/BIFMA's x5.6-2016 performance standards for panel systems
- Designed by Poppin in NYC

Power

- Reach out to a Poppin Account Executive to help you bring power where you need it using one of our available power systems (sold separately)

Delivery + Installation

- White Glove Installation service is required

Contact Us

(888) 676-7746 sales@poppin.com poppin.com/showrooms



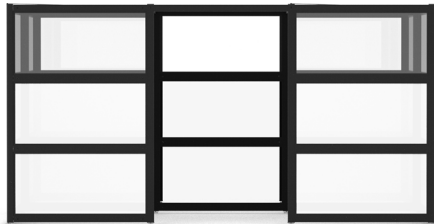
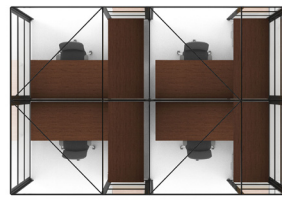
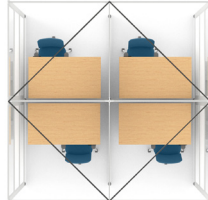
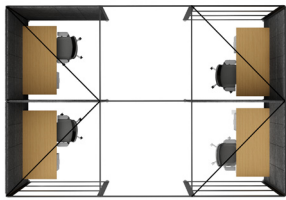
Hive



Hone



Hustle



Tempered glass panels are available in clear or opaque white



Choose from semi-private or private layouts...



Ceiling baffles with rich heather black coloring and a chamfer edge design. One set includes 11 baffles



...to achieve your ideal level of visual privacy and sight lines

HIVE COLORS + FORMATS

We've created a few ready-to-ship configurations that address the most common needs for space. Reach out to an Account Executive to design your own Space to your needs.

HIVE SPACE FOR 4

Semi-Private Panel Layouts

Comes with 15 clear panels and 18 white panels



White



Black

HIVE SPACE FOR 4

Private Panel Layouts

Comes with 13 clear panels and 20 white panels



White



Black

Comes with 15 clear panels and 18 acoustic panels



Heather White



Heather Black

Comes with 13 clear panels and 20 acoustic panels



Heather White



Heather Black



Rose Quartz



Blue Quartz



Rose Quartz



Blue Quartz

Contact Us

(888) 676-7746

sales@poppin.com

poppin.com/showrooms

HIVE COLORS + FORMATS

We've created a few ready-to-ship configurations that address the most common needs for space. Reach out to an Account Executive to design your own Space to your needs.

HIVE SPACE FOR 8

Semi-Private Panel Layouts

Comes with 30 clear panels and 30 white panels



White



Black

HIVE SPACE FOR 8

Private Panel Layouts

Comes with 24 clear panels and 36 white panels



White



Black

Comes with 30 clear panels and 30 acoustic panels



Heather White



Heather Black

Comes with 24 clear panels and 36 acoustic panels



Heather White



Heather Black



Rose Quartz



Blue Quartz



Rose Quartz



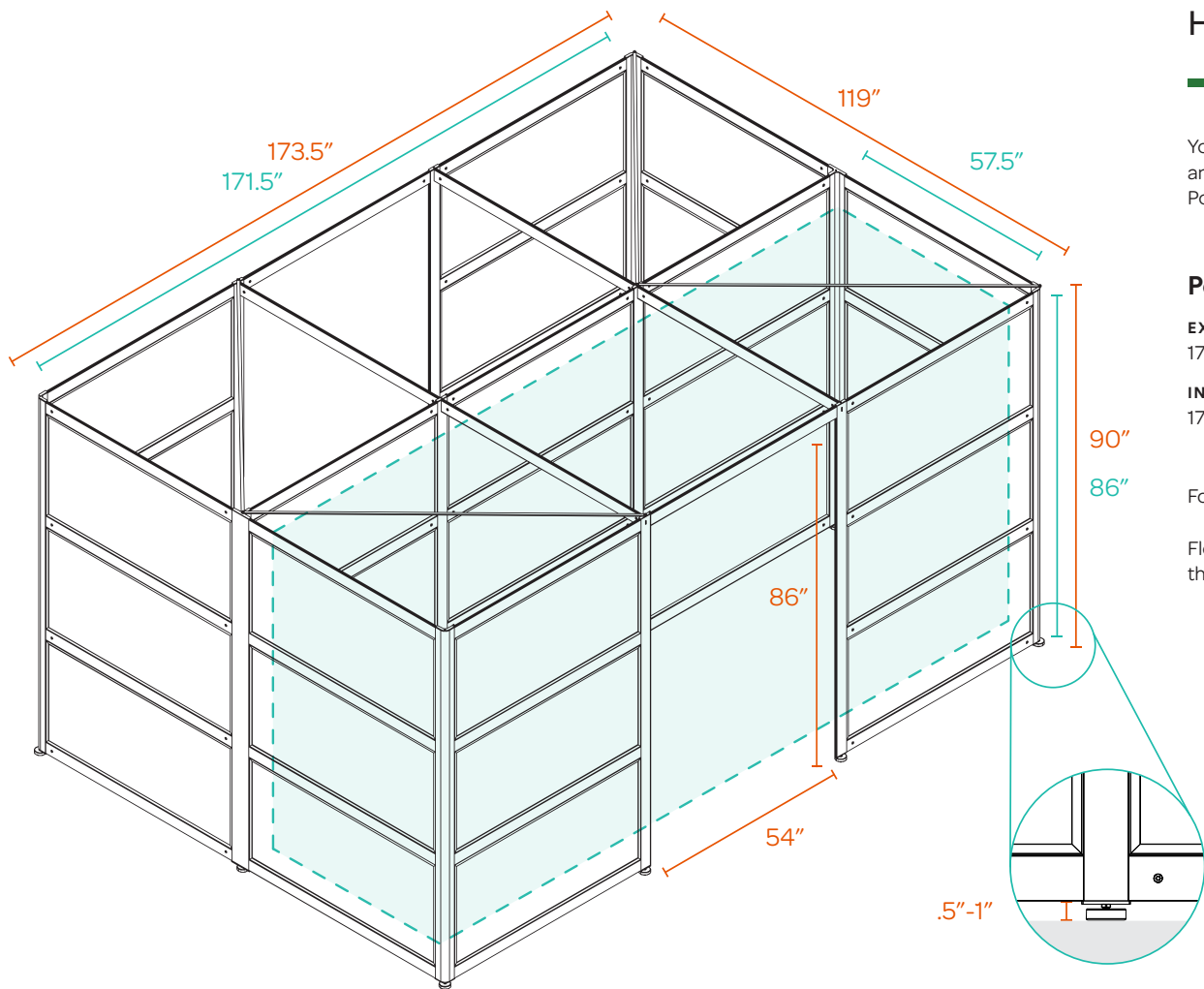
Blue Quartz

Contact Us

(888) 676-7746

sales@poppin.com

poppin.com/showrooms



HIVE DIMENSIONS

Your Poppin Account Executive and Project Manager can answer any questions you have about the placement of your PoppinSpaces.

PoppinSpaces Hive

EXTERIOR (IN)	OPENING (IN)
173.5w x 119d x 90h	58w x 86h
INDIVIDUAL INTERIOR (IN)	FLOOR GAP (IN)
171.5w x 57.5d x 86h	.5 - 1h

For each additional row, add 87.5" to the depth.

Floor glides allow for a +.5" height adjustment, ensuring that the space is level even if your floor isn't.

.5"-1"

Contact Us

(888) 676-7746 sales@poppin.com poppin.com/showrooms

KEY

- Exterior Dimensions
- Interior Dimensions

HONE COLORS + FORMATS

We've created a few ready-to-ship configurations that address the most common needs for space. Reach out to an Account Executive to design your own Space to your needs.

HONE SPACE FOR 4

Semi-Private Panel Layout

Comes with 12 clear panels and 12 white panels



White



Black

HONE SPACE FOR 4

Private Panel Layout

Comes with 8 clear panels and 16 white panels



White



Black

Comes with 12 clear panels and 12 acoustic panels



Heather White



Heather Black

Comes with 8 clear panels and 16 acoustic panels



Heather White



Heather Black



Rose Quartz



Blue Quartz



Rose Quartz



Blue Quartz

Contact Us

(888) 676-7746

sales@poppin.com

poppin.com/showrooms

HONE COLORS + FORMATS

We've created a few ready-to-ship configurations that address the most common needs for space. Reach out to an Account Executive to design your own Space to your needs.

HONE SPACE FOR 6

Semi-Private Panel Layout

Comes with 12 clear panels and 21 white panels



White



Black

HONE SPACE FOR 6

Private Panel Layout

Comes with 11 clear panels and 22 white panels



White



Black

Comes with 12 clear panels and 21 acoustic panels



Heather White



Heather Black

Comes with 11 clear panels and 22 acoustic panels



Heather White



Heather Black



Rose Quartz



Blue Quartz



Rose Quartz



Blue Quartz

Contact Us

(888) 676-7746

sales@poppin.com

poppin.com/showrooms

HONE COLORS + FORMATS

We've created a few ready-to-ship configurations that address the most common needs for space. Reach out to an Account Executive to design your own Space to your needs.

HONE SPACE FOR 8

Semi-Private Panel Layout

Comes with 12 clear panels and 30 white panels



White



Black

HONE SPACE FOR 8

Private Panel Layout

Comes with 14 clear panels and 28 white panels



White



Black

Comes with 12 clear panels and 30 acoustic panels



Heather White



Heather Black

Comes with 14 clear panels and 28 acoustic panels



Heather White



Heather Black



Rose Quartz



Blue Quartz



Rose Quartz



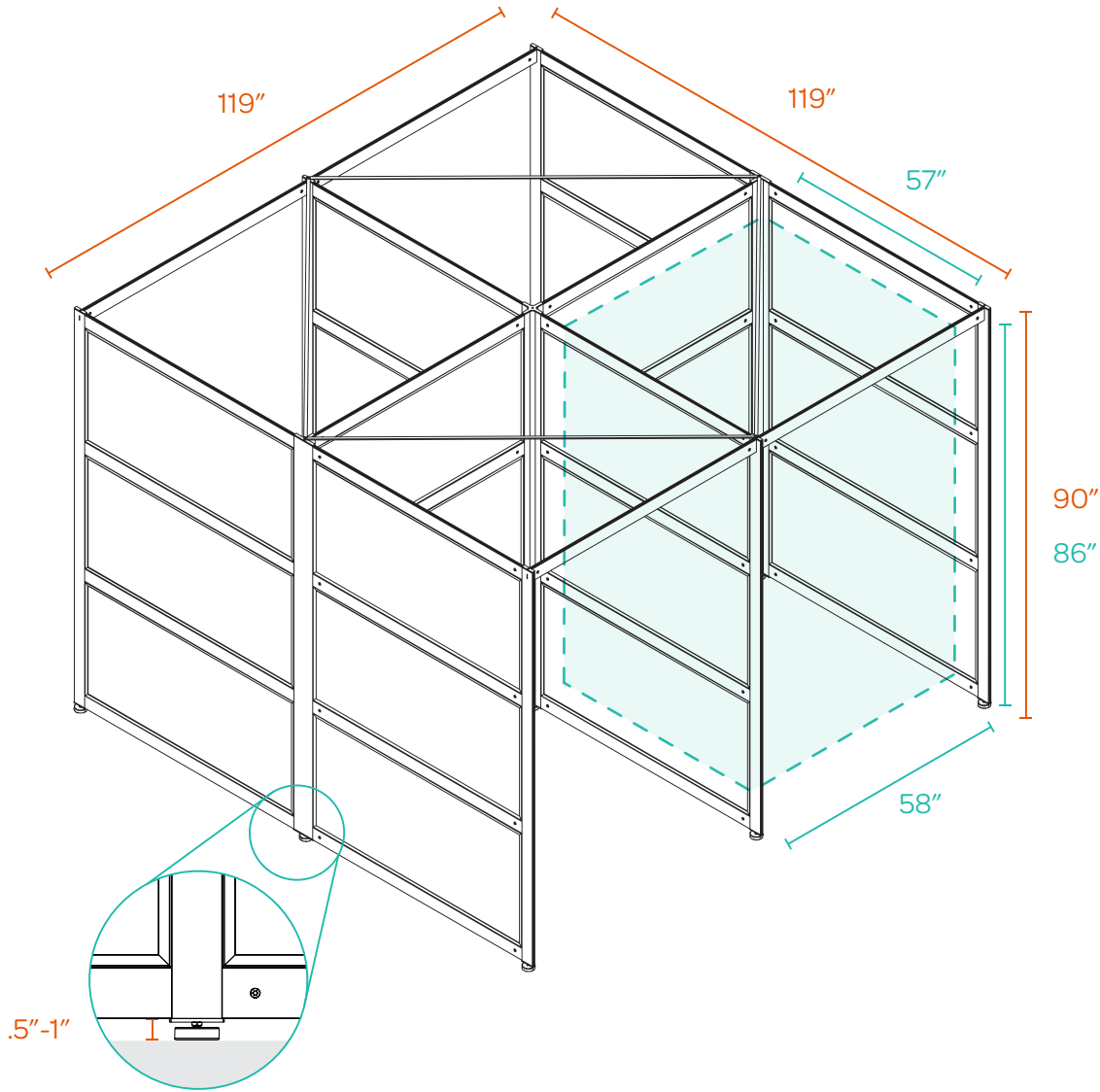
Blue Quartz

Contact Us

(888) 676-7746

sales@poppin.com

poppin.com/showrooms



HONE DIMENSIONS

Your Poppin Account Executive and Project Manager can answer any questions you have about the placement of your PoppinSpaces.

PoppinSpaces Hone

EXTERIOR (IN)	OPENING (IN)
119w x 119d x 90h	58w x 86h
INDIVIDUAL INTERIOR (IN)	FLOOR GAP (IN)
58w x 57d x 86h	.5 - 1h

For each additional row, add 60" to the depth.

Floor glides allow for a +.5" height adjustment, ensuring that the space is level even if your floor isn't.

Contact Us

(888) 676-7746 sales@poppin.com poppin.com/showrooms

KEY
 — Exterior Dimensions
 — Interior Dimensions

HUSTLE COLORS + FORMATS

We've created a few ready-to-ship configurations that address the most common needs for space. Reach out to an Account Executive to design your own Space to your needs.

HUSTLE SPACE FOR 4

Semi-Private Panel Layout

Comes with 30 clear panels and 30 white panels



White



Black

HUSTLE SPACE FOR 4

Private Panel Layout

Comes with 20 clear panels and 40 white panels



White



Black

HUSTLE SPACE FOR 6

Semi-Private Panel Layout

Comes with 36 clear panels and 42 white panels



White



Black

HUSTLE SPACE FOR 6

Private Panel Layout

Comes with 26 clear panels and 52 white panels



White



Black

HUSTLE SPACE FOR 8

Semi-Private Panel Layout

Comes with 36 clear panels and 42 white panels



White



Black

HUSTLE SPACE FOR 8

Private Panel Layout

Comes with 26 clear panels and 52 white panels



White



Black

Contact Us

(888) 676-7746

sales@poppin.com

poppin.com/showrooms

HUSTLE DIMENSIONS

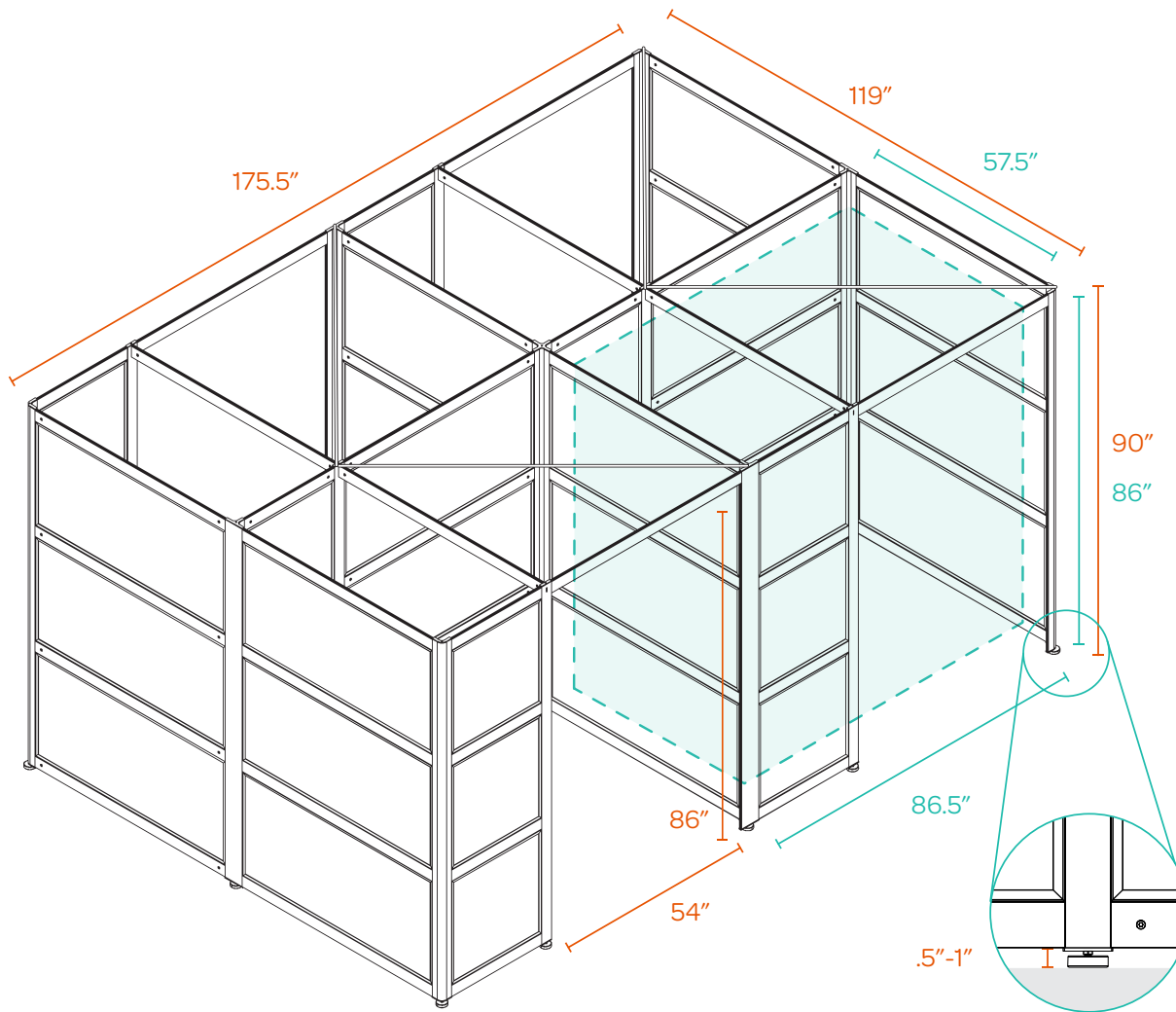
Your Poppin Account Executive and Project Manager can answer any questions you have about the placement of your PoppinSpaces.

PoppinSpaces Hustle

EXTERIOR (IN)	OPENING (IN)
175.5w x 119d x 90h	54w x 86h
INDIVIDUAL INTERIOR (IN)	FLOOR GAP (IN)
86.5w x 57.5d x 86h	.5 - 1h

For each additional row, add 87.5" to the depth.

Floor glides allow for a +.5" height adjustment, ensuring that the space is level even if your floor isn't.



KEY

- Exterior Dimensions
- Interior Dimensions

Contact Us

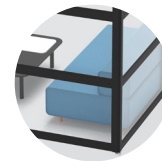
(888) 676-7746 sales@poppin.com poppin.com/showrooms



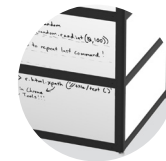
CREATE YOUR OWN SPACE

Like what you see, but need something specific? There are thousands of ways PoppinSpaces can be designed to create the perfect solutions for your team's needs. Featuring a flexible system of beams and panels, PoppinSpaces allow for customization in configuration, panel material, and colors.

Finishes



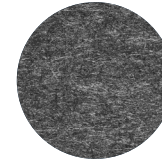
Clear Tempered
Glass Panels



Opaque Tempered
Glass Panels



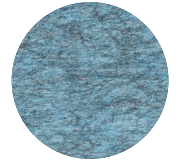
Heather White
Acoustic Panel



Heather Black
Acoustic Panel

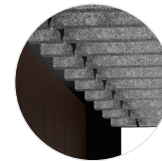


Rose Quartz
Acoustic Panel



Blue Quartz
Acoustic Panel

Add-Ons



Ceiling Baffles

Contact Us

(888) 676-7746

sales@poppin.com

poppin.com/showrooms



SPACE FOR FLEXIBILITY

Feeling stuck in your current layout? Our modular components can be positioned anywhere in your office (now or in the future).

SPACE FOR AFFORDABILITY

Maximize your floor plan without maxing out your budget and speed up your timeline by avoiding pricey construction.

SPACE FOR SUSTAINABILITY

Reusable walls prevent wasteful demolition for custom build-outs, which means we reduce stuff that ends up in a landfill.