

PoppinSpaces // Collaborate



poppin. *workhappy.*

FLAGSHIP SHOWROOM
16 Madison Square West, 3rd Fl
New York, NY 10010

FOR MORE LOCATIONS, VISIT
poppin.com/showrooms

(888) 676-7746
sales@poppin.com
[@poppin](https://www.instagram.com/poppin) #workhappy

POPPINSPACES // COLLABORATE



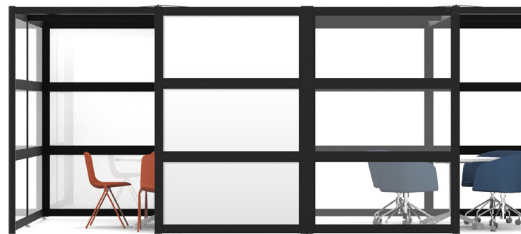
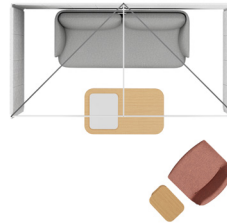
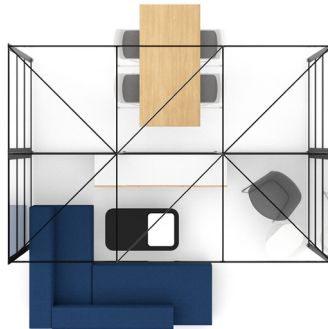
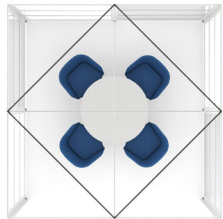
Retreat



Refocus



Recess



Tempered glass panels are available in clear or opaque white



Choose from semi-private or private layouts...



Ceiling baffles with rich heather black coloring and a chamfer edge design. One set includes 11 baffles



...to achieve your ideal level of visual privacy and sight lines

PoppinSpaces is a flexible system of walls to give your team a better way to work. One click, your walls ship!

No need to break your lease. Retreat, Recess, and Refocus Spaces add definition to your open-plan office with non-load-bearing walls designed to help teams collaborate. These three walls create a semi-enclosed space that encourages spontaneous, cross-company communication and teamwork so you can come and go as you please. Choose from semi-private and private panel layouts that offer your ideal level of visual privacy and maintaining sight lines. Acoustic panels that reduce echo and reverberation can be used on any pre-assembled PoppinSpaces so conversations can be more private.

Mix and match with other PoppinSpaces to create your ideal workspace.

Bells + Whistles

- Retreat Space is 92 sq. ft. and comfortably seats up to 4 people
- Recess Space covers 46 sq. ft. and comfortably seats up to 4 people
- Refocus Space is a total of 137 sq. ft. and comfortably seats up to 6 people on each side of the dividing wall
- Tempered glass panels are available in clear or opaque white (made with ceramic white coloring)
- Use dry erase markers to take notes on the glass panels
- Made from 50% recycled PET, the acoustic panels help reduce echo and reverberation
- Acoustic panels have a simple, engraved pattern to add texture, elevate aesthetics, and create visual privacy
- Frames are made of powder-coated aluminum with a matte, textured finish
- Optional PET ceiling baffles can be added to PoppinSpaces to further reduce sound echo and reverberation while creating a comfortable, warm, and enclosed setting. Single PET baffle dimensions: 55" L x 1" W x 4" H, 1.4 lbs.
- The PoppinSpaces Collection has achieved Indoor Advantage Gold Certification
- Meets or exceeds ANSI/BIFMA's x5.6-2016 performance standards for panel systems
- Designed by Poppin in NYC

Power

- Reach out to a Poppin Account Executive to help you bring power where you need it using one of our available power systems (sold separately)

Delivery + Installation

- White Glove Installation service is required

Contact Us

(888) 676-7746 sales@poppin.com poppin.com/showrooms



RETREAT COLORS + FORMATS

We've created a few ready-to-ship configurations that address the most common needs for space. Reach out to an Account Executive to design your own Space to your needs.

RETREAT

Semi-Private Panel Layouts

Comes with 9 clear panels and 9 white panels



White



Black

RETREAT

Private Panel Layouts

Comes with 18 white panels



White



Black

Comes with 9 clear panels and 9 acoustic panels



Heather White



Heather Black

Comes with 18 acoustic panels



Heather White



Heather Black



Rose Quartz



Blue Quartz



Rose Quartz



Blue Quartz

Contact Us

(888) 676-7746

sales@poppin.com

poppin.com/showrooms

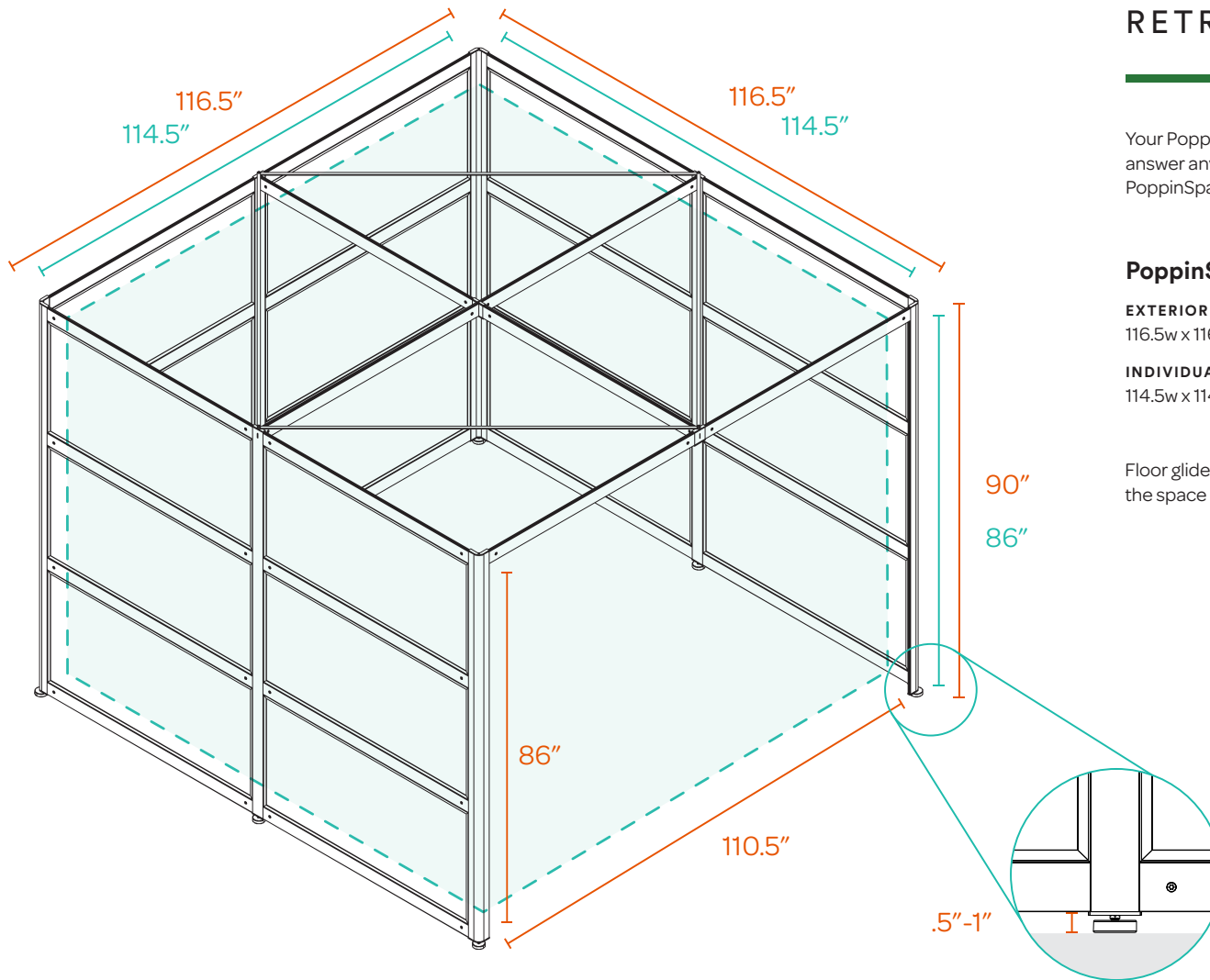
RETREAT DIMENSIONS

Your Poppin Account Executive and Project Manager can answer any questions you have about the placement of your PoppinSpaces.

PoppinSpaces Retreat

EXTERIOR (IN)	OPENING (IN)
116.5w x 116.5d x 90h	110.5w x 86h
INDIVIDUAL INTERIOR (IN)	FLOOR GAP (IN)
114.5w x 114.5d x 86h	.5 - 1h

Floor glides allow for a +.5" height adjustment, ensuring that the space is level even if your floor isn't.



KEY

- Exterior Dimensions
- Interior Dimensions

Contact Us

(888) 676-7746 sales@poppin.com poppin.com/showrooms

RECESS COLORS + FORMATS

We've created a few ready-to-ship configurations that address the most common needs for space. Reach out to an Account Executive to design your own Space to your needs.

RECESS

Semi-Private Panel Layouts

Comes with 6 clear panels and 6 white panels



White



Black

RECESS

Private Panel Layouts

Comes with 12 white panels



White



Black

Comes with 6 clear panels and 6 acoustic panels



Heather White



Heather Black

Comes with 12 acoustic panels



Heather White



Heather Black



Rose Quartz



Blue Quartz



Rose Quartz



Blue Quartz

Contact Us

(888) 676-7746

sales@poppin.com

poppin.com/showrooms

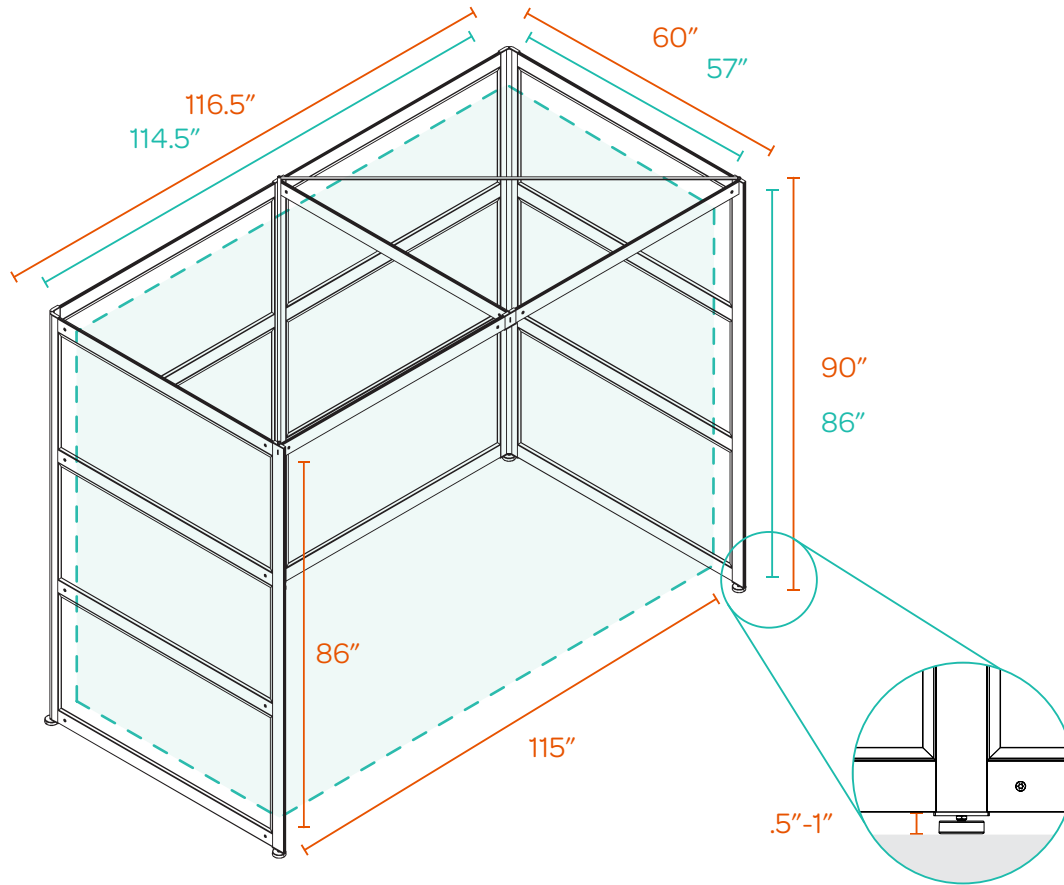
RECESS DIMENSIONS

Your Poppin Account Executive and Project Manager can answer any questions you have about the placement of your PoppinSpaces.

PoppinSpaces Recess

EXTERIOR (IN)	OPENING (IN)
116.5w x 60d x 90h	115w x 86h
INDIVIDUAL INTERIOR (IN)	FLOOR GAP (IN)
114.5w x 57d x 86h	.5 - 1h

Floor glides allow for a +.5" height adjustment, ensuring that the space is level even if your floor isn't.



KEY

- Exterior Dimensions
- Interior Dimensions

Contact Us

(888) 676-7746 sales@poppin.com poppin.com/showrooms

REFOCUS COLORS + FORMATS

We've created a few ready-to-ship configurations that address the most common needs for space. Reach out to an Account Executive to design your own Space to your needs.

REFOCUS

Semi-Private Panel Layouts

Comes with 12 clear panels and 9 white panels



White



Black



White



Black

Comes with 12 clear panels and 9 acoustic panels



Heather White



Heather Black



Heather White



Heather Black

Comes with 21 acoustic panels



Rose Quartz



Blue Quartz



Rose Quartz



Blue Quartz

REFOCUS

Private Panel Layouts

Comes with 21 white panels

Contact Us

(888) 676-7746

sales@poppin.com

poppin.com/showrooms

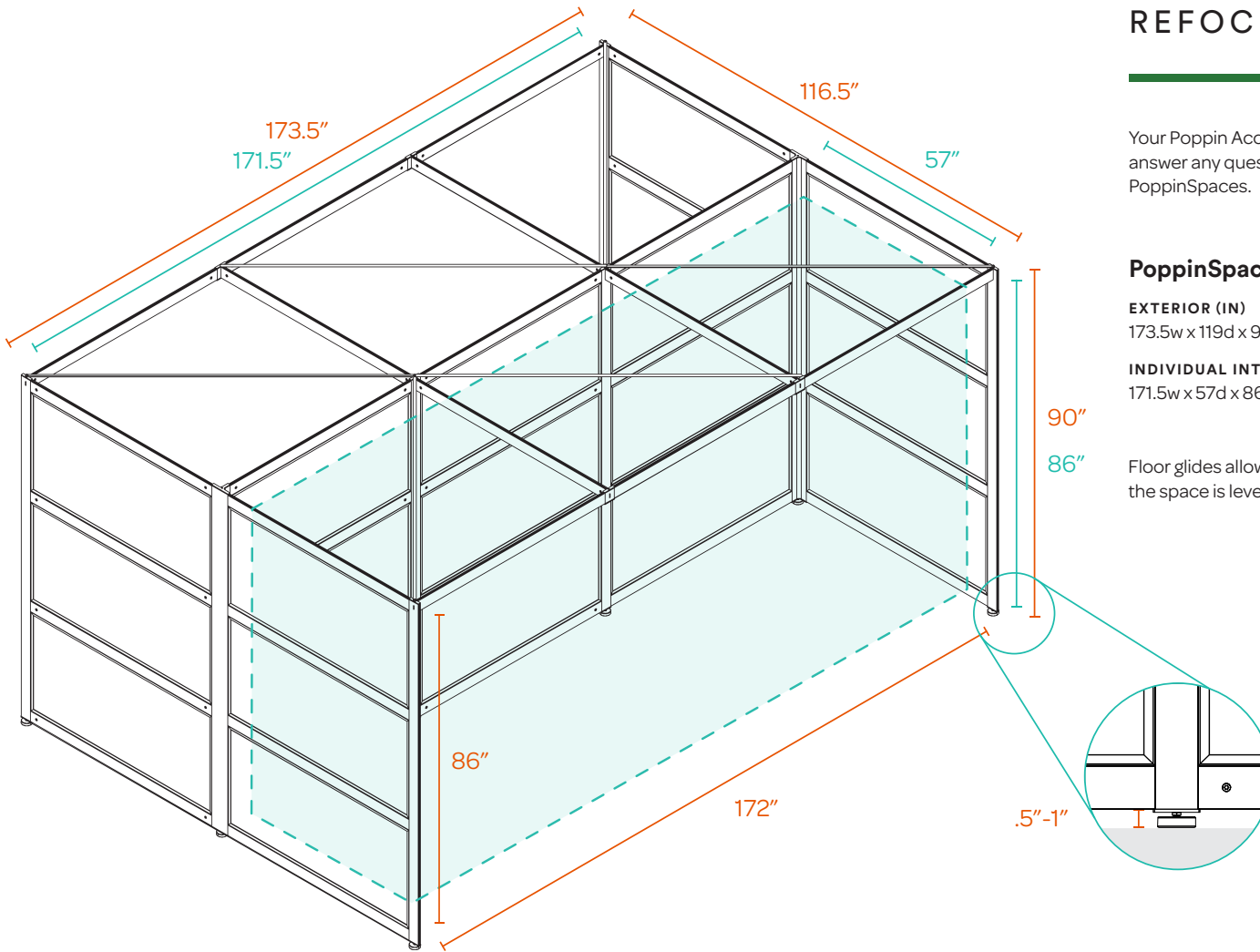
REFOCUS DIMENSIONS

Your Poppin Account Executive and Project Manager can answer any questions you have about the placement of your PoppinSpaces.

PoppinSpaces Refocus

EXTERIOR (IN)	OPENING (IN)
173.5w x 119d x 90h	172w x 86h
INDIVIDUAL INTERIOR (IN)	FLOOR GAP (IN)
171.5w x 57d x 86h	.5 - 1h

Floor glides allow for a +.5" height adjustment, ensuring that the space is level even if your floor isn't.



KEY

- Exterior Dimensions
- Interior Dimensions

Contact Us

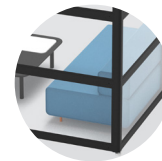
(888) 676-7746 sales@poppin.com poppin.com/showrooms



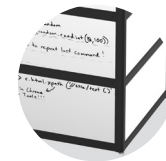
CREATE YOUR OWN SPACE

Like what you see, but need something specific? There are thousands of ways PoppinSpaces can be designed to create the perfect solutions for your team's needs. Featuring a flexible system of beams and panels, PoppinSpaces allow for customization in configuration, panel material, and colors.

Finishes



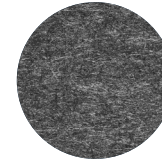
Clear Tempered
Glass Panels



Opaque Tempered
Glass Panels



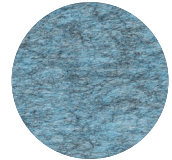
Heather White
Acoustic Panel



Heather Black
Acoustic Panel

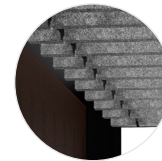


Rose Quartz
Acoustic Panel



Blue Quartz
Acoustic Panel

Add-Ons



Ceiling Baffles

Contact Us

(888) 676-7746

sales@poppin.com

poppin.com/showrooms



SPACE FOR FLEXIBILITY

Feeling stuck in your current layout? Our modular components can be positioned anywhere in your office (now or in the future).

SPACE FOR AFFORDABILITY

Maximize your floor plan without maxing out your budget and speed up your timeline by avoiding pricey construction.

SPACE FOR SUSTAINABILITY

Reusable walls prevent wasteful demolition for custom build-outs, which means we reduce stuff that ends up in a landfill.