

## PoppinSpaces // Meet

---



**poppin.** *workhappy.*

FLAGSHIP SHOWROOM  
16 Madison Square West, 3rd Fl

New York, NY 10010  
FOR MORE LOCATIONS, VISIT  
[poppin.com/showrooms](http://poppin.com/showrooms)

(888) 676-7746  
[sales@poppin.com](mailto:sales@poppin.com)  
[@poppin](https://twitter.com/poppin) [#workhappy](https://www.instagram.com/poppin)

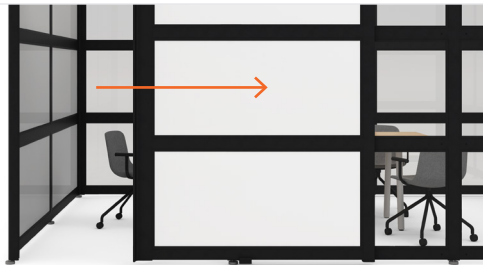
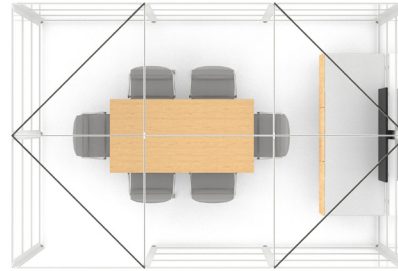
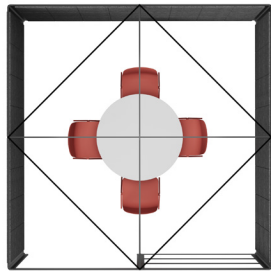
# POPPINSPACES // MEET



Confer



Connect



The optional door slides to the right when you're outside of your Confer or Connect Space



Choose from open, semi-private, or private layouts...



Ceiling baffles with rich heather black coloring and a chamfer edge design. One set includes 11 baffles



...to achieve your ideal level of visual privacy and sight lines

PoppinSpaces is a flexible system of walls to give your team a better way to work. One click, your walls ship!

Need some space? We get it. Confer and Connect Spaces add definition to your open-plan office with non-load-bearing walls designed to help teams find meeting space. These four walls—optional door and ceiling baffles sold separately—create an enclosed space for formal conference rooms, impromptu standup meetings, and all the other ways your team connects. Choose from open, semi-private, and private panel layouts that offer your ideal level of visual privacy and maintaining sight lines. Acoustic panels that reduce echo and reverberation can be used on any pre-assembled PoppinSpaces so conversations can be more private.

Mix and match with other PoppinSpaces to create your ideal workspace.

## Bells + Whistles

- Confer Space is 92 sq. ft. and comfortably seats up to 4 people
- Connect Space is 137 sq. ft. and comfortably seats up to 6 people
- Tempered glass panels are available in clear or opaque white (made with ceramic white coloring)
- Use dry erase markers to take notes on the glass panels
- Made from 50% recycled PET, the acoustic panels help reduce echo and reverberation
- Acoustic panels have a simple, engraved pattern to add texture, elevate aesthetics, and create visual privacy
- The optional Sliding Door is right-hand oriented and suspends from the top beam of your Confer or Connect Space – sliding to the right when you're standing outside of your PoppinSpace
- Frames are made of powder-coated aluminum with a matte, textured finish
- Optional PET ceiling baffles can be added to PoppinSpaces to further reduce sound echo and reverberation while creating a comfortable, warm, and enclosed setting. Single PET baffle dimensions: 55" L x 1" W x 4" H, 1.4 lbs.
- The PoppinSpaces Collection has achieved Indoor Advantage Gold Certification
- Meets or exceeds ANSI/BIFMA's x5.6-2016 performance standards for panel systems
- Designed by Poppin in NYC

## Power

- Reach out to a Poppin Account Executive to help you bring power where you need it using one of our available power systems (sold separately)

## Delivery + Installation

- Our White Glove Installation service is required

## Contact Us

(888) 676-7746 sales@poppin.com poppin.com/showrooms



INDOOR ADVANTAGE GOLD FURNITURE

# CONFER COLORS + FORMATS

We've created a few ready-to-ship configurations that address the most common needs for space. Reach out to an Account Executive to design your own Space to your needs.

## CONFER

### Open Panel Layouts

Comes with 21 clear panels



White



Black

## CONFER

### Semi-Private Panel Layouts

Comes with 12 clear panels and 9 white panels



White



Black

## CONFER

### Private Panel Layouts

Comes with 3 clear panels and 18 white panels



White



Black

Comes with 12 clear panels and 9 acoustic panels



Heather White



Heather Black

Comes with 3 clear panels and 18 acoustic panels



Heather White



Heather Black



Rose Quartz



Blue Quartz



Rose Quartz



Blue Quartz

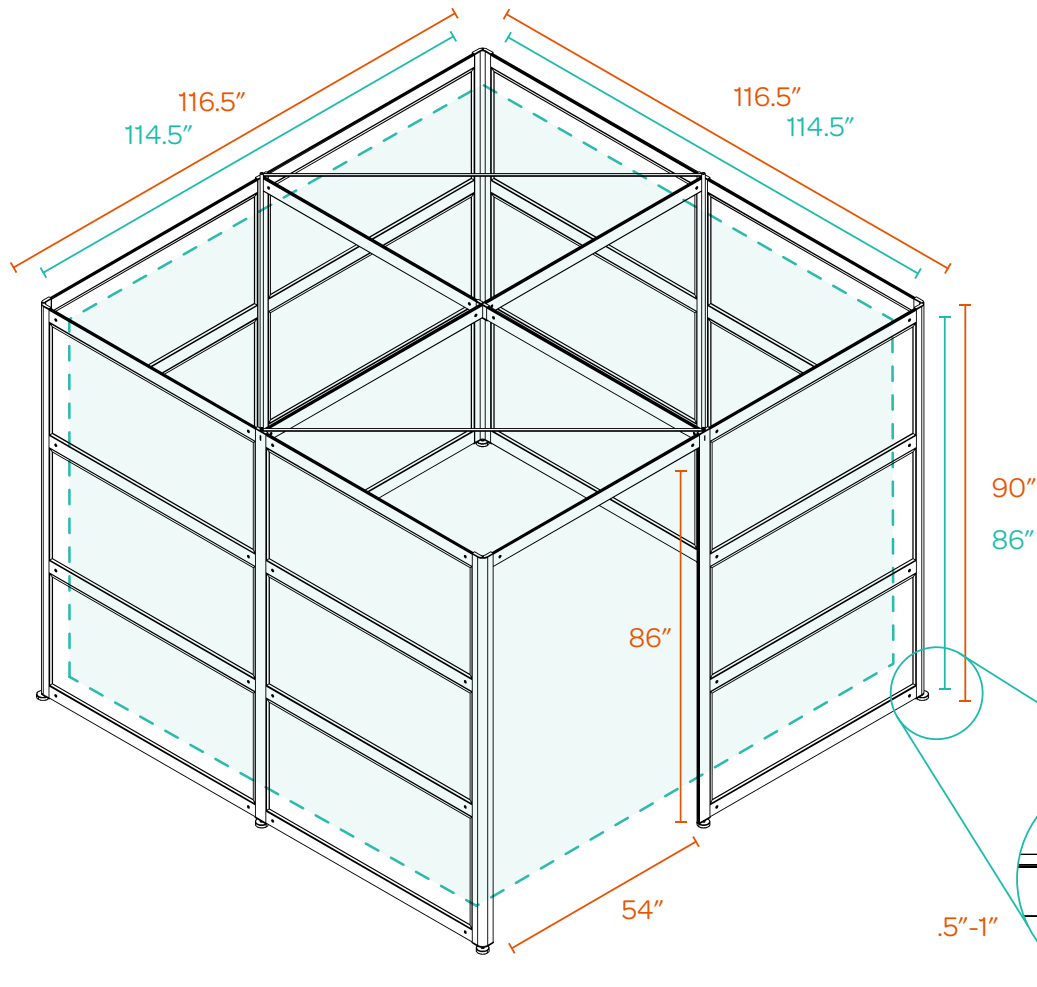
## Contact Us

(888) 676-7746

[sales@poppin.com](mailto:sales@poppin.com)

[poppin.com/showrooms](http://poppin.com/showrooms)

## CONFER DIMENSIONS



Your Popin Account Executive and Project Manager can answer any questions you have about the placement of your PopinSpaces.

### PopinSpaces Confer

EXTERIOR (IN)	OPENING (IN)
116.5w x 116.5d x 90h	54w x 86h
INTERIOR (IN)	FLOOR GAP (IN)
116.5w x 114.5d x 86h	.5 - 1h

Floor glides allow for a +.5" height adjustment, ensuring that the space is level even if your floor isn't.

#### KEY

- Exterior Dimensions
- Interior Dimensions

### Contact Us

(888) 676-7746    sales@poppin.com    poppin.com/showrooms

# CONNECT COLORS + FORMATS

We've created a few ready-to-ship configurations that address the most common needs for space. Reach out to an Account Executive to design your own Space to your needs.

## CONNECT Open Panel Layouts

Comes with 27 clear panels



White



Black

## CONNECT Semi-Private Panel Layouts

Comes with 15 clear panels and 12 white panels



White



Black

## CONNECT Private Panel Layouts

Comes with 6 clear panels and 21 white panels



White



Black

Comes with 15 clear panels and 12 acoustic panels



Heather White



Heather Black

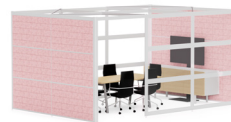
Comes with 6 clear panels and 21 acoustic panels



Heather White



Heather Black



Rose Quartz



Blue Quartz



Rose Quartz



Blue Quartz

### Contact Us

(888) 676-7746

[sales@poppin.com](mailto:sales@poppin.com)

[poppin.com/showrooms](http://poppin.com/showrooms)

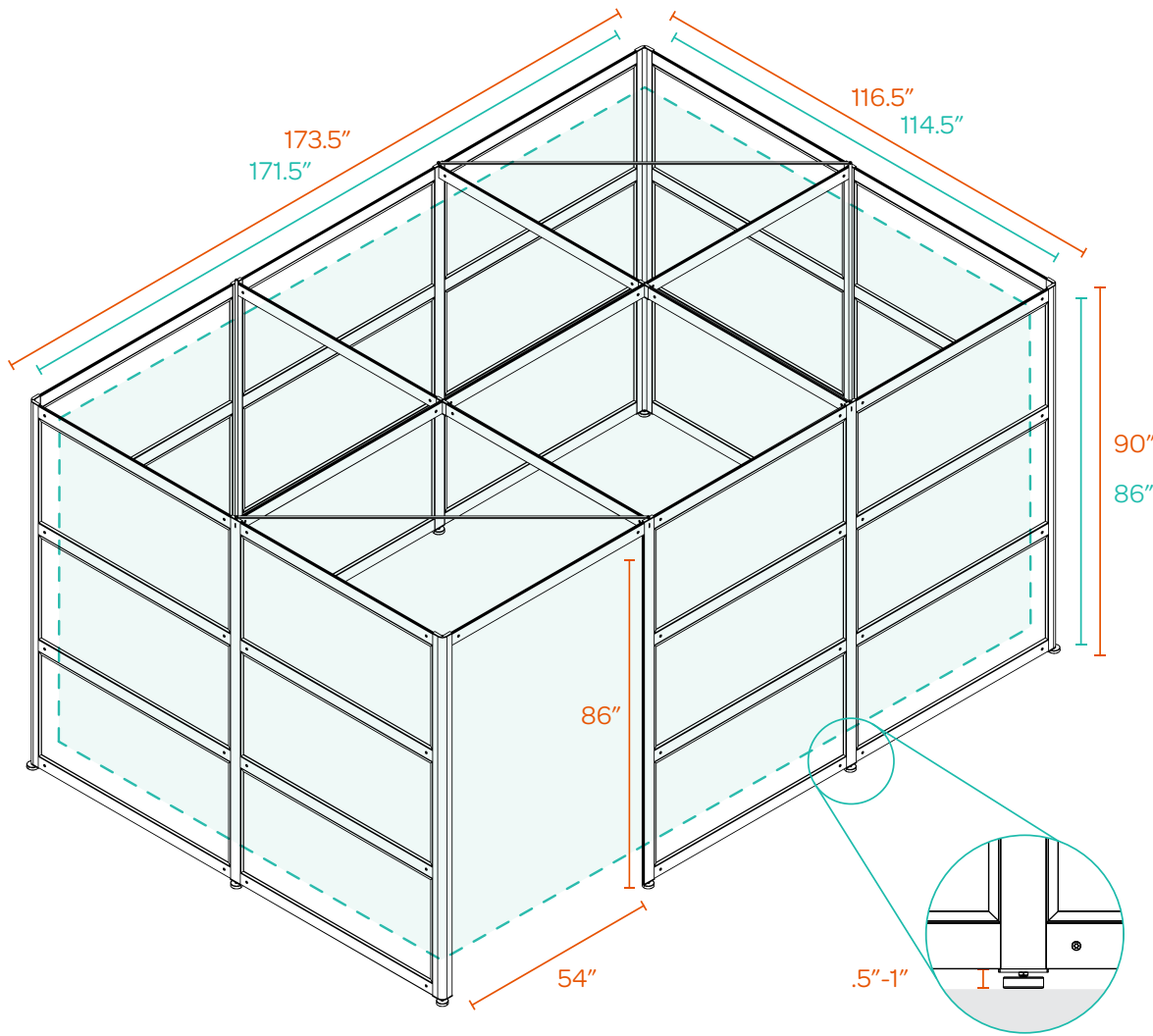
## CONNECT DIMENSIONS

Your Poppin Account Executive and Project Manager can answer any questions you have about the placement of your PoppinSpaces.

### PoppinSpaces Connect

EXTERIOR (IN)	OPENING (IN)
173.5w x 116.5d x 90h	54w x 86h
INTERIOR (IN)	FLOOR GAP (IN)
171.5w x 114.5d x 86h	.5 - 1h

Floor glides allow for a +.5" height adjustment, ensuring that the space is level even if your floor isn't.



#### KEY

- Exterior Dimensions
- Interior Dimensions

### Contact Us

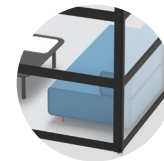
(888) 676-7746    [sales@poppin.com](mailto:sales@poppin.com)    [poppin.com/showrooms](http://poppin.com/showrooms)



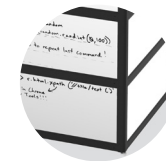
## CREATE YOUR OWN SPACE

Like what you see, but need something specific? There are thousands of ways PoppinSpaces can be designed to create the perfect solutions for your team's needs. Featuring a flexible system of beams and panels, PoppinSpaces allow for customization in configuration, panel material, and colors.

### Finishes



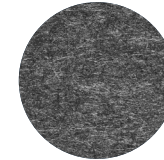
Clear Tempered  
Glass Panels



Opaque Tempered  
Glass Panels



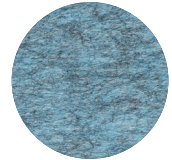
Heather White  
Acoustic Panel



Heather Black  
Acoustic Panel



Rose Quartz  
Acoustic Panel

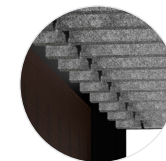


Blue Quartz  
Acoustic Panel

### Add-Ons



Sliding Door



Ceiling Baffles

### Contact Us

(888) 676-7746

[sales@poppin.com](mailto:sales@poppin.com)

[poppin.com/showrooms](http://poppin.com/showrooms)



### SPACE FOR FLEXIBILITY

Feeling stuck in your current layout? Our modular components can be positioned anywhere in your office (now or in the future).

### SPACE FOR AFFORDABILITY

Maximize your floor plan without maxing out your budget and speed up your timeline by avoiding pricey construction.

### SPACE FOR SUSTAINABILITY

Reusable walls prevent wasteful demolition for custom build-outs, which means we reduce stuff that ends up in a landfill.