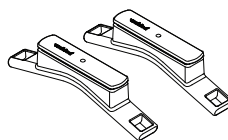


the outta-sight

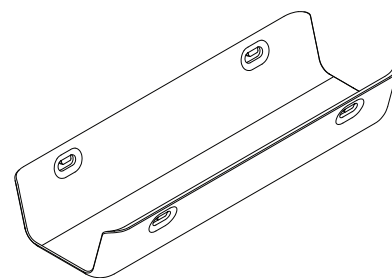
Cable Hideaway For Raise Desk

INSTALLATION INSTRUCTIONS

Included in the box:



2 HANGERS



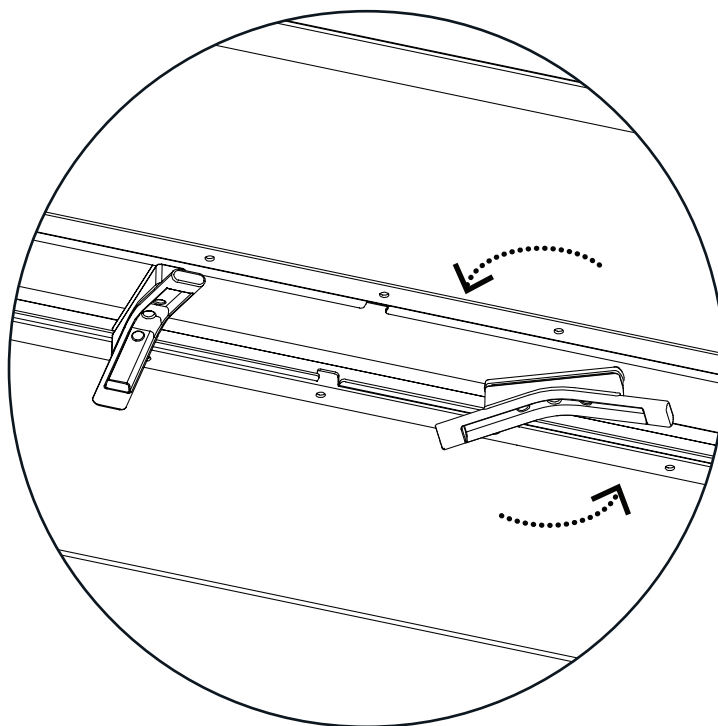
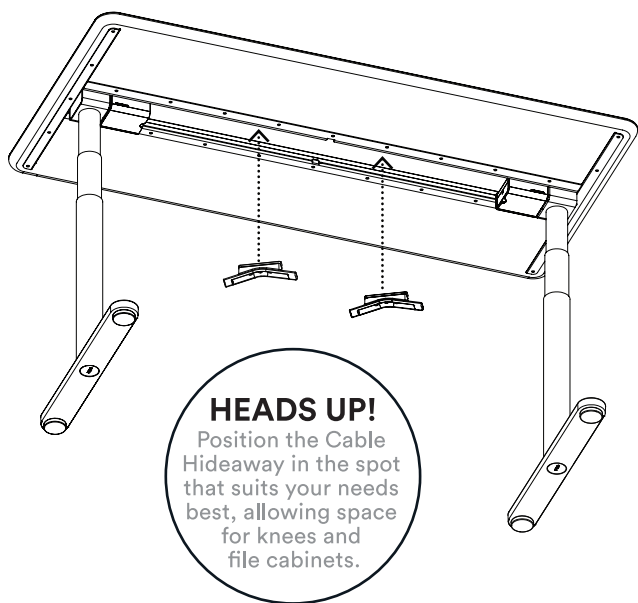
CABLE HIDEAWAY



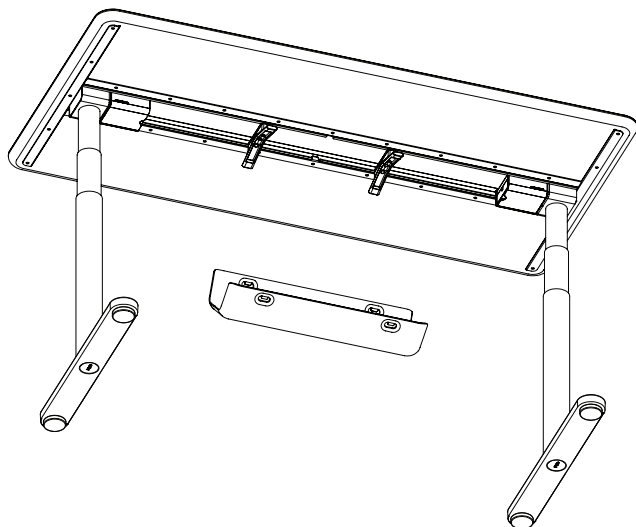
2 SCREWS
not needed for
Raise Installation

INSTALLATION

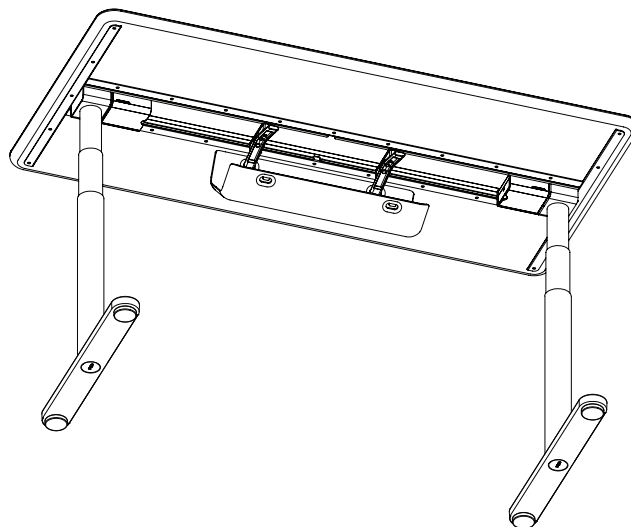
1. Twist the hideaway hangers into the Raise desk top chassis.



2. Space the hangers apart to align with the attachment points on the Cable Hideaway.



3. Clip the back half of the Cable Hideaway onto the hangers, then clip the front half. Unclip one side when you need to access your cords and cables.



the outta-sight

Cable Hideaway For Series L Adjustable Height Desk

INSTALLATION INSTRUCTIONS

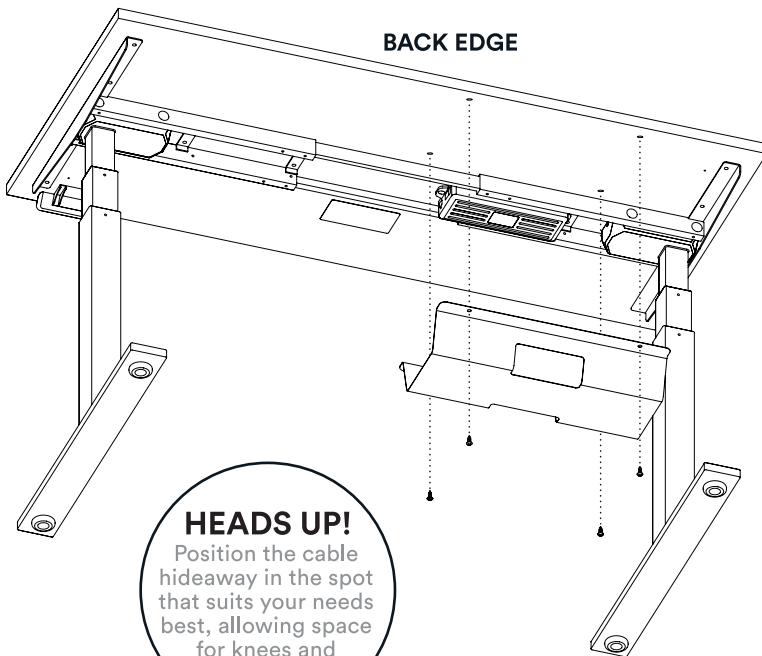
Included in the box:



Tools needed:



INSTALLATION



HEADS UP!

Position the cable hideaway in the spot that suits your needs best, allowing space for knees and file cabinets.

the outta-sight

Cable Hideaway For Series A Single Desk

INSTALLATION INSTRUCTIONS

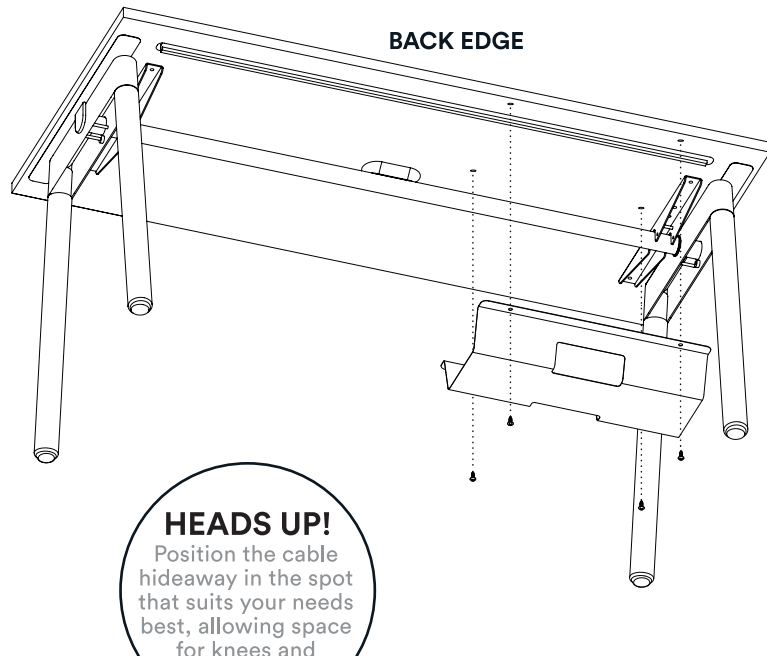
Included in the box:



Tools needed:



INSTALLATION



HEADS UP!

Position the cable hideaway in the spot that suits your needs best, allowing space for knees and file cabinets.