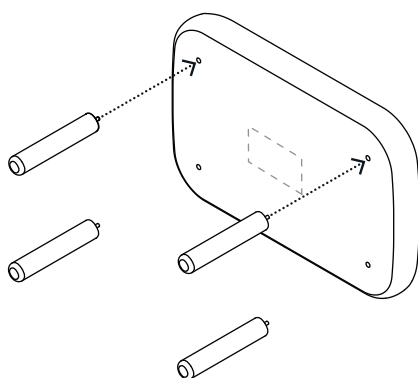


*the quiet time*

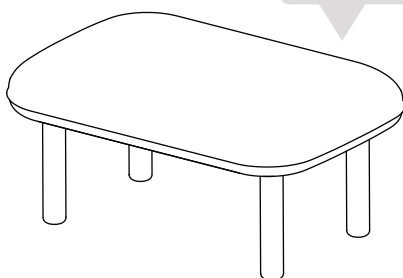
# QT Lounge Ottoman

## ASSEMBLY INSTRUCTIONS



1. Screw in legs to the underside of the cushion, then stand upright.

Let's spend  
some quality  
time together.



Designed by Poppin in NYC

Shop the complete furniture collection at [poppin.com](http://poppin.com)

**Poppin, Inc.**  
1115 Broadway, 3rd Floor  
New York, NY 10010

(888) 676-7746  
[hi@poppin.com](mailto:hi@poppin.com)  
[@workhappy @poppin](https://www.instagram.com/workhappy)

For patent or patent application  
information visit [poppin.com/patents](http://poppin.com/patents)

©Poppin 2018

v01\_Dec2018