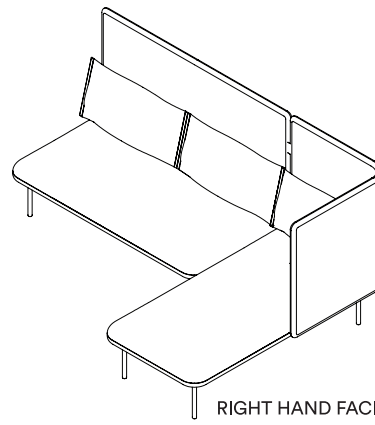


the quality time

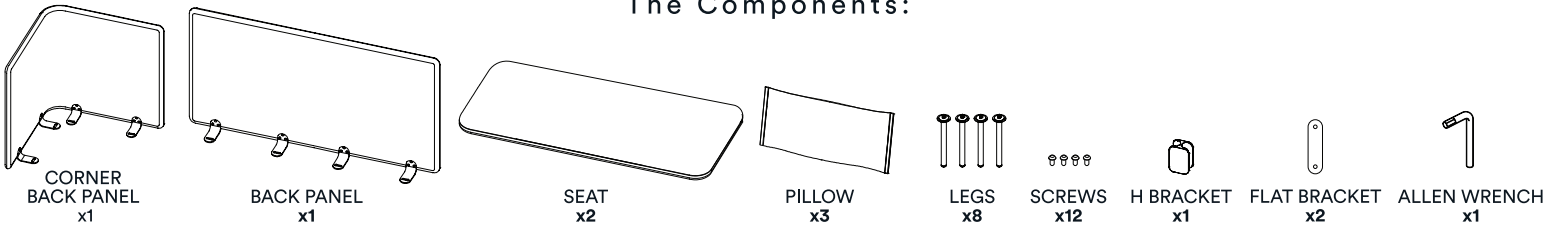
QT Lounge Sofa + Chaise

ASSEMBLY INSTRUCTIONS

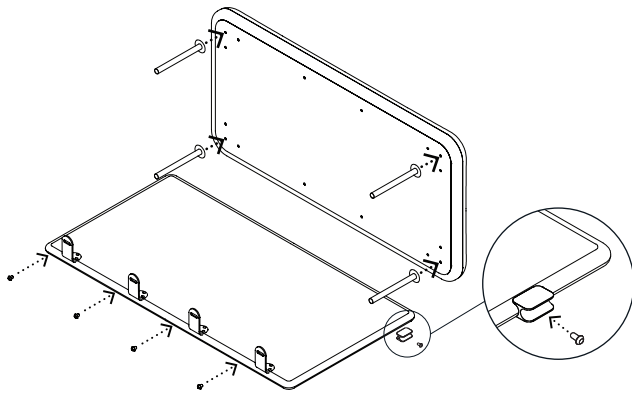


RIGHT HAND FACING CONFIGURATION

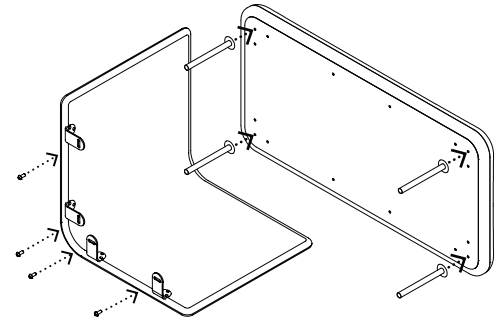
The Components:



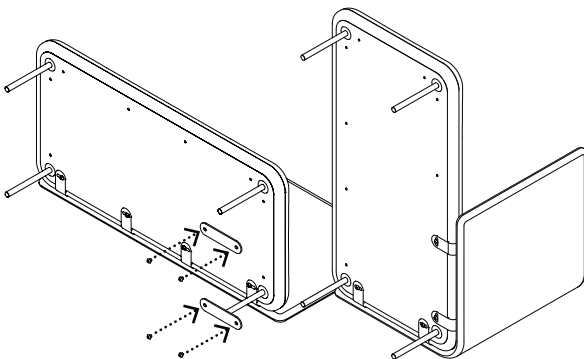
1. Lay the flat back panel on the ground. Align the seat with L brackets and secure with screws. Based on the client's preferred Chaise position, feel for the hidden screw receptor on the appropriate edge of the flat back panel, under the upholstery, and make a small holes. Screw the H bracket into place. Screw in the four legs



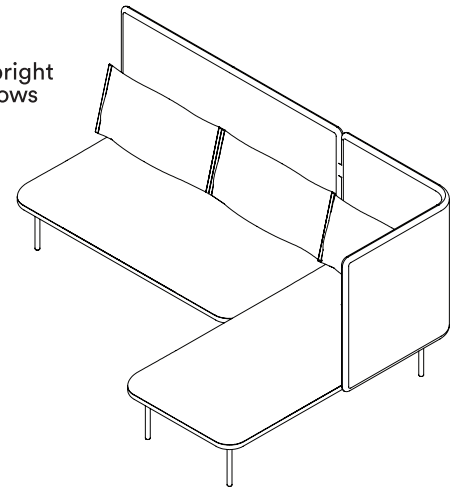
2. Lay the corner back panel on the ground. Align the seat with two brackets and secure with screws. Fold the corner around the seat frame and secure with two screws. Screw in four legs



3. Position the seats side by side and ensure the corner back panel edge nests into the H bracket (no additional screw required). Use the flat brackets to secure the seats together



4. Flip the sofa upright and add the pillows



CARE

We recommend annual professional upholstery cleaning for maximum long-term performance and best appearance. Spot-clean using an upholstery cleanser formulated for Polyester fabrics.

WARNING/DISCLAIMER

Listen up, daredevils! (And anyone trying to reach that top shelf). Do not stand on this product. Use only as intended. Failure to follow these instructions could result in property damage or personal injury.