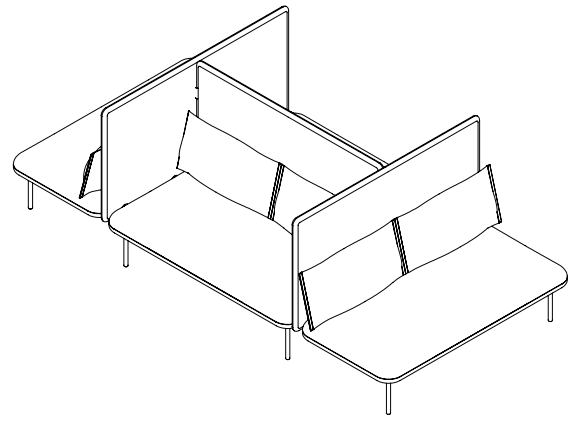


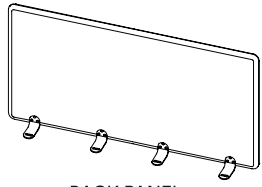
the quality time

QT Lounge Focus Configuration

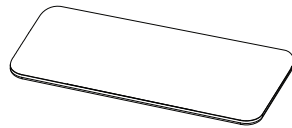


ASSEMBLY INSTRUCTIONS

The Components:



BACK PANEL
x3



SEAT
x4



PILLOW
x8



LEGS
x12



SCREWS
x24



L BRACKET
x12

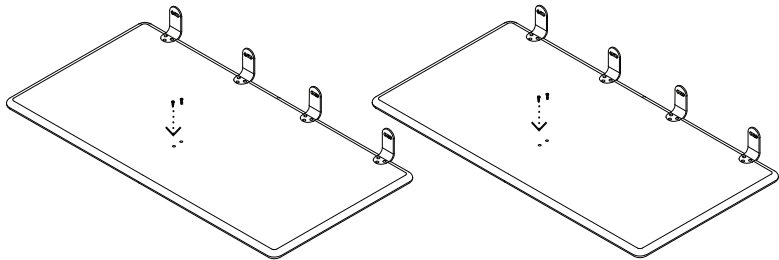


T BRACKET
x2



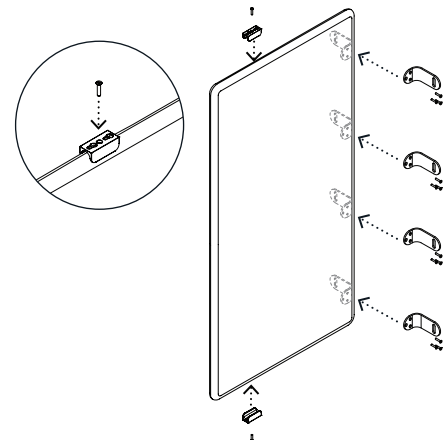
ALLEN WRENCH
x1

1a. Lay two back panels on the ground as shown. Feel for the hidden screw receptors in the center of each panel, under the upholstery, and make two small holes. Install two screws to receive the T Bracket

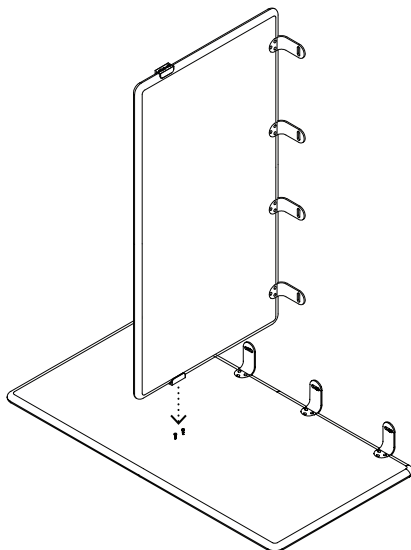


1b. Using the third back panel, feel for the hidden screw receptor on each edge, under the upholstery, and make a small hole. Screw the T bracket into place.

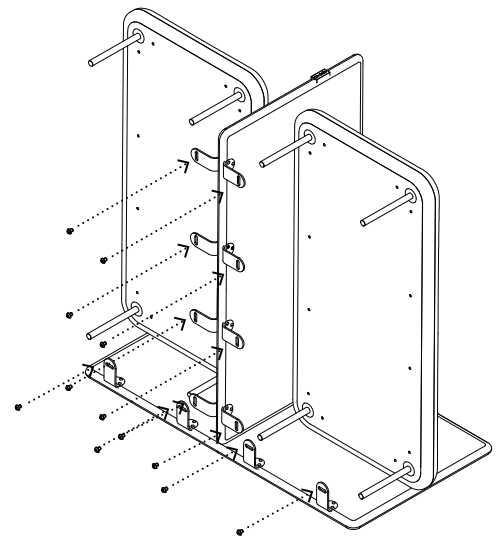
Feel for the hidden screw receptors for additional four L brackets and install



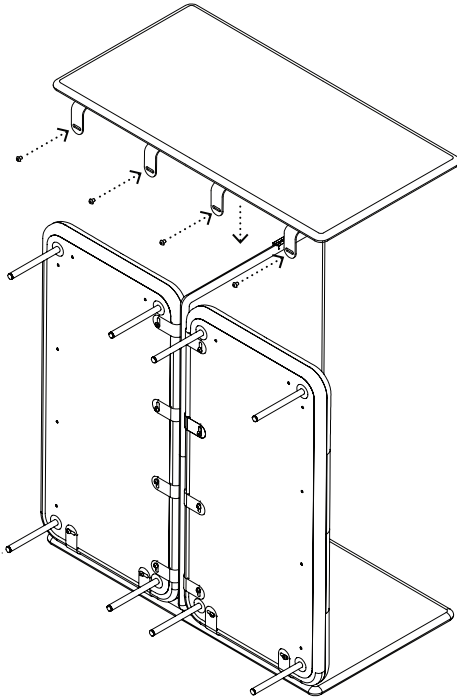
2. Connect the T bracket on panel #3 to the screws on panel #2



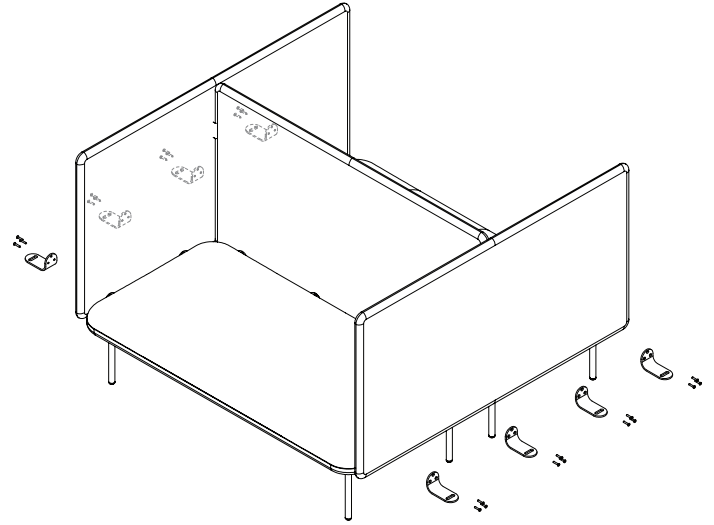
3. Align the seat with L brackets and secure with screws. Screw in eight legs.



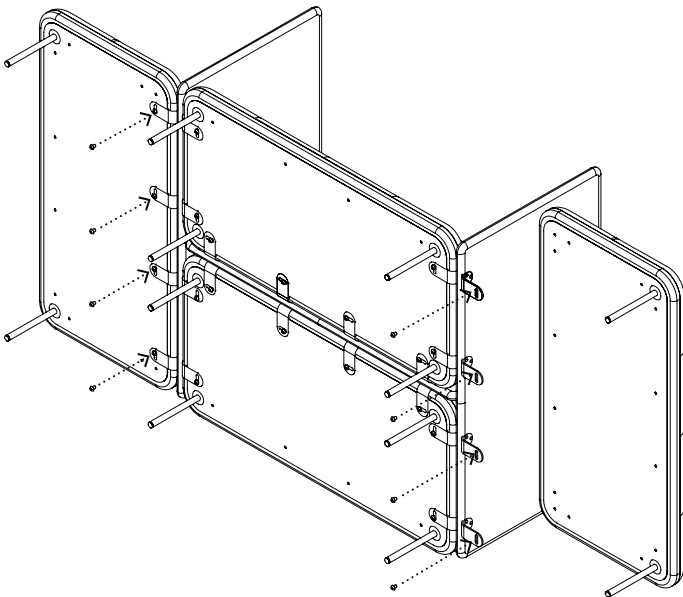
4. Connect the T bracket on panel #3 to the screws on panel #1.
Screw the L brackets to the seats



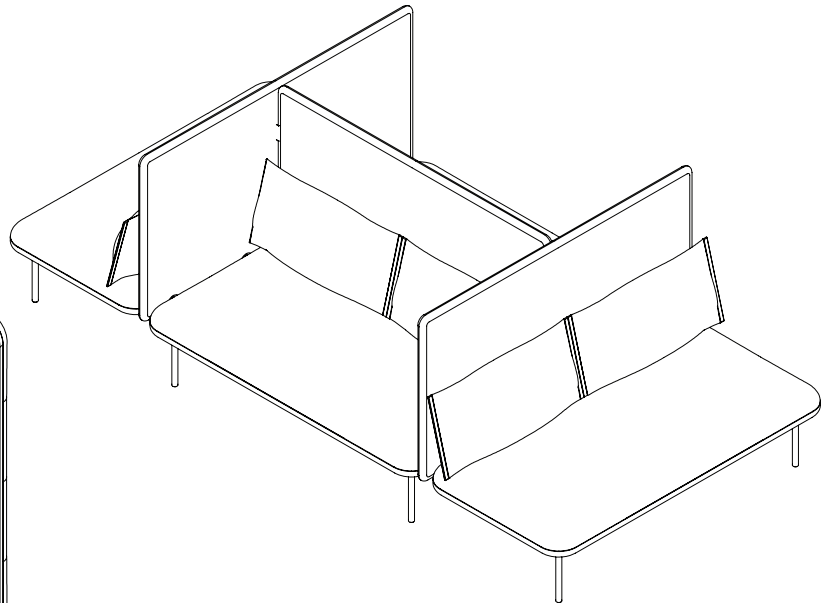
5. Feel for the hidden screw receptors for additional eight L brackets and install



6. Align the seats with the L brackets and secure with screws.
Screw in four legs



7. Flip the sofa upright and add the pillows



CARE

We recommend annual professional upholstery cleaning for maximum long-term performance and best appearance. Spot-clean using an upholstery cleanser formulated for Polyester fabrics.

(888) 676-7746

hi@poppin.com

WARNING/DISCLAIMER

Listen up, daredevils! (And anyone trying to reach that top shelf). Do not stand on this product. Use only as intended. Failure to follow these instructions could result in property damage or personal injury.

©Poppin 2021

v01_Apr2021