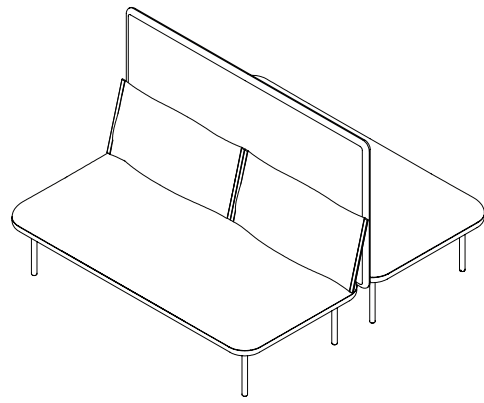


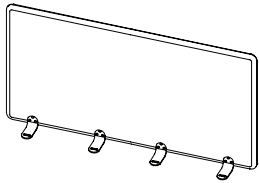
the quality time

# QT Lounge Back to Back

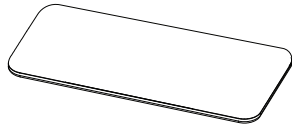


## ASSEMBLY INSTRUCTIONS

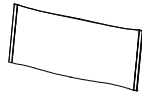
### The Components:



BACK PANEL  
x1



SEAT  
x2



PILLOW  
x4



LEGS  
x8



SCREWS  
x8

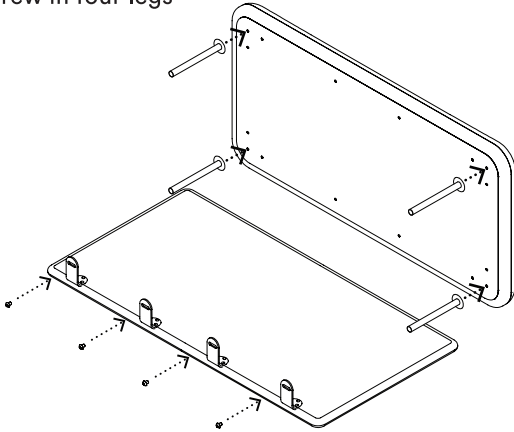


L BRACKET  
x8

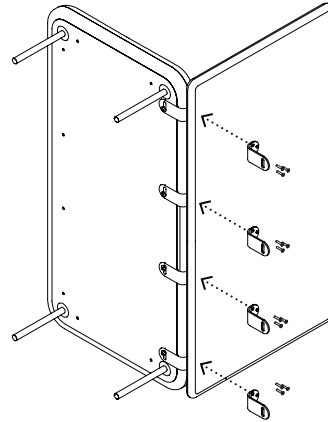


ALLEN WRENCH  
x1

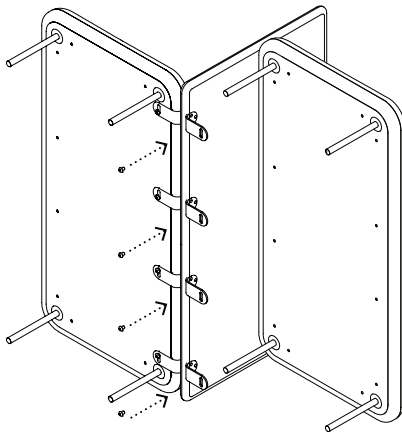
1. Align the seat with L brackets and secure with screws.  
Screw in four legs



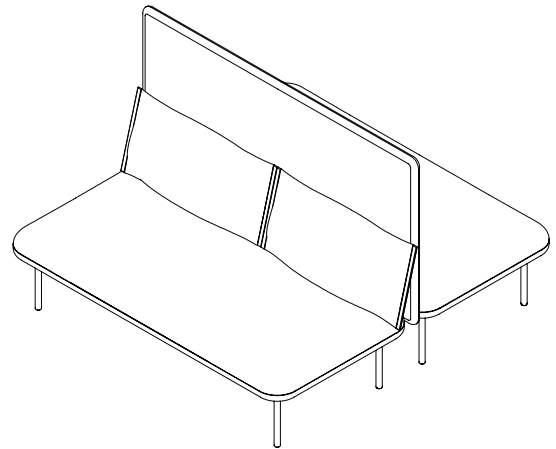
2. Feel for the hidden screw receptors, under the upholstery, and make three small holes for each bracket. Screw the L brackets into place



3. Align the seat with the L brackets and secure with screws.  
Screw in four legs



4. Flip the sofa upright and add the pillows



### CARE

We recommend annual professional upholstery cleaning for maximum long-term performance and best appearance. Spot-clean using an upholstery cleanser formulated for Polyester fabrics.

(888) 676-7746

hi@poppin.com

### WARNING/DISCLAIMER

Listen up, daredevils! (And anyone trying to reach that top shelf). Do not stand on this product. Use only as intended. Failure to follow these instructions could result in property damage or personal injury.

©Poppin 2021

v01\_Apr2021