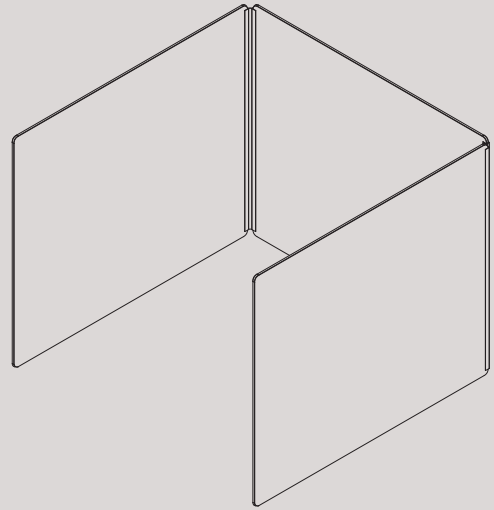


*the good-fences*

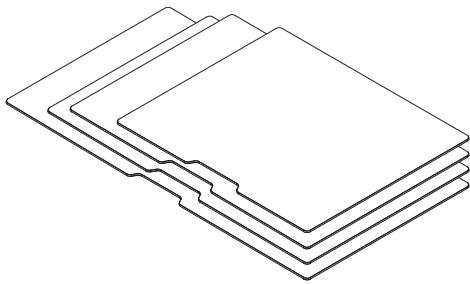
# Protective Acrylic Shield

27IN · 43IN · 48IN · 58IN

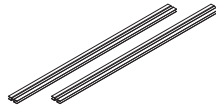
## ASSEMBLY INSTRUCTIONS



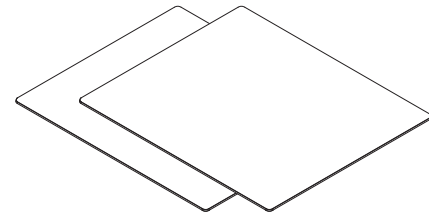
Included in the box:



BACK PANEL  
27IN · 43IN · 48IN · 58IN



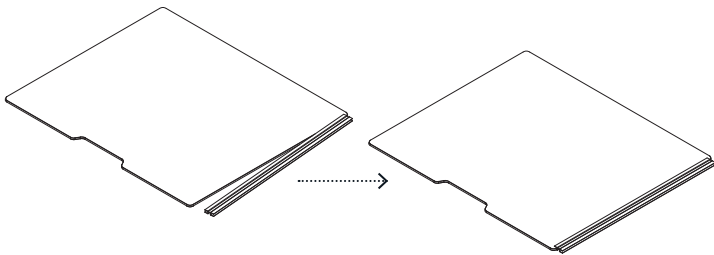
HINGES



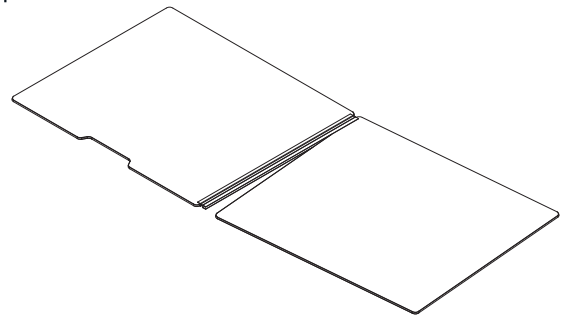
SIDE PANELS

## ASSEMBLY

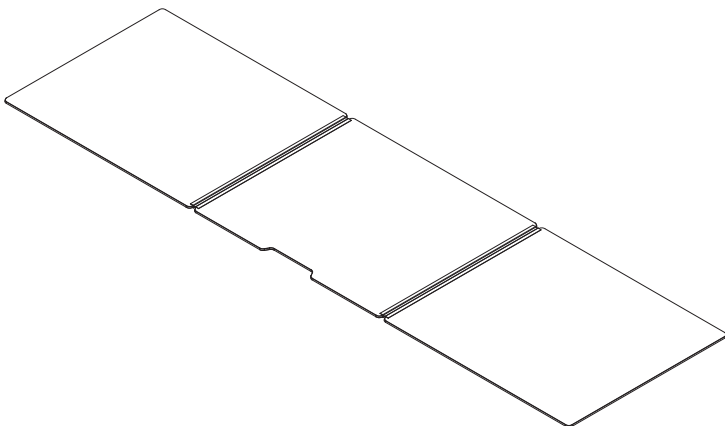
1. Lay the back panel flat and attach the hinge angling in from the top down.



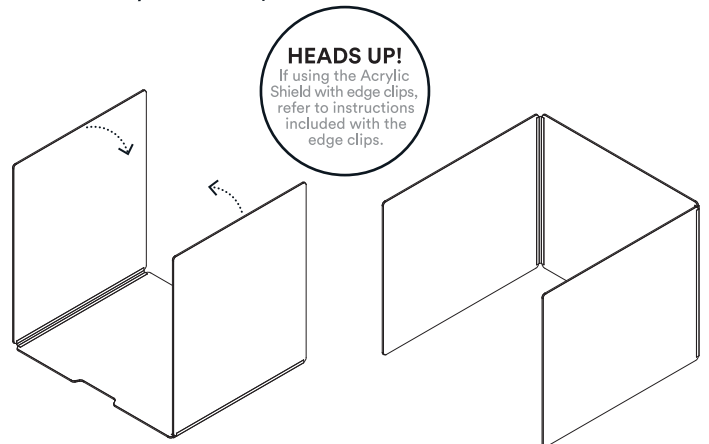
2. Attach the side panel to the hinge, angling the side panel in from the top down.



3. Repeat steps 1 + 2 on the other side panel.



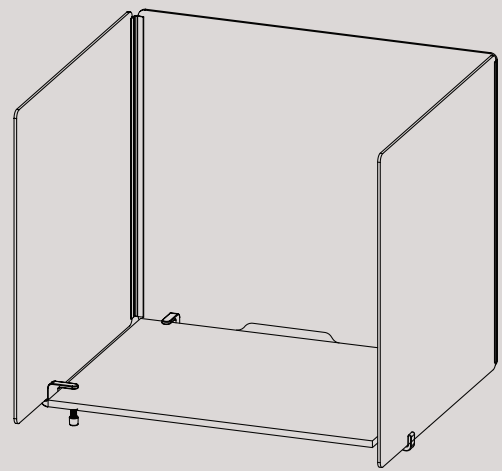
4. Fold the side panels inward and rotate the Acrylic Shield upright. Position on your desktop.



*the good-fences*

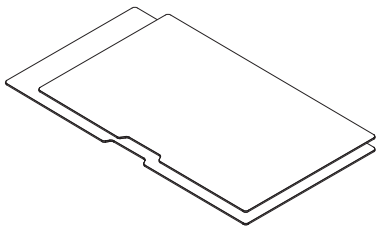
# Protective Acrylic Shield + Edge Clips

48IN · 58IN



## ASSEMBLY INSTRUCTIONS

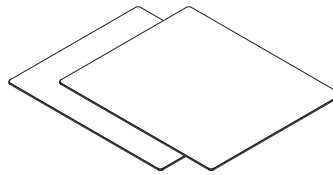
Included in the box:  
not to scale



BACK PANEL 48IN · 58IN  
x1

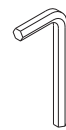


HINGE  
x2

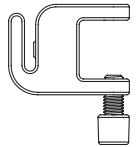


SIDE PANELS  
x2

Shipped Separately  
not to scale



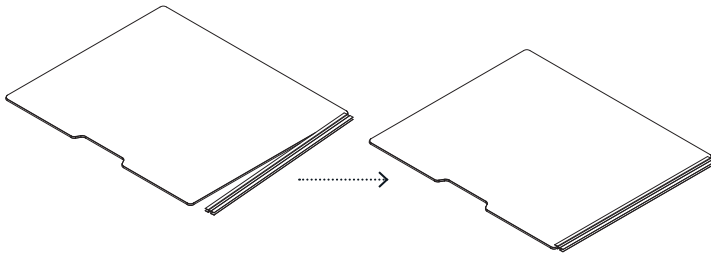
4mm  
ALLEN  
WRENCH



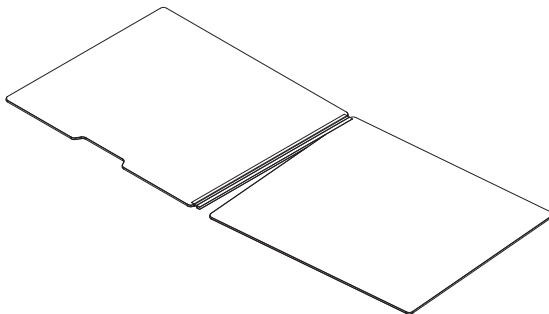
EDGE CLIP  
x4

## ASSEMBLY

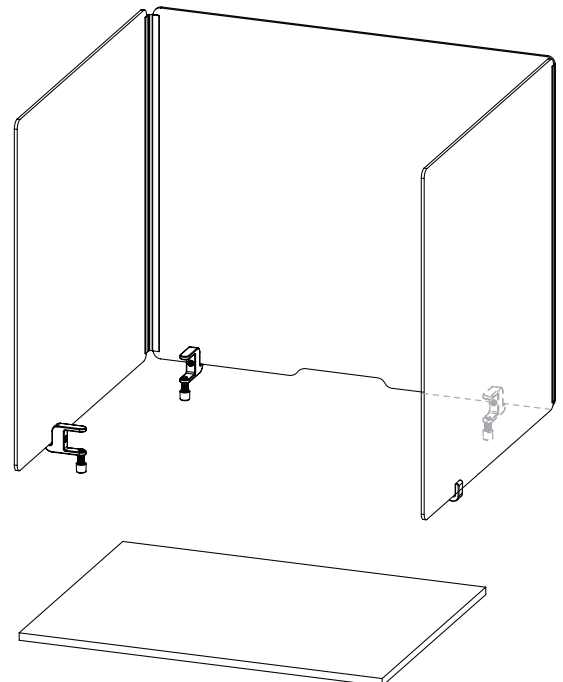
1. Lay the back panel flat and attach the hinge angling in from the top down



2. Attach the side panel to the hinge, angling the side panel in from the top down



3. Repeat steps 1 + 2 on the other side panel
4. Using the Allen wrench, tighten the Edge Clip internal set screw on the panels
5. Transfer the shield onto the table top and attach the edge clips, tightening the thumb screw



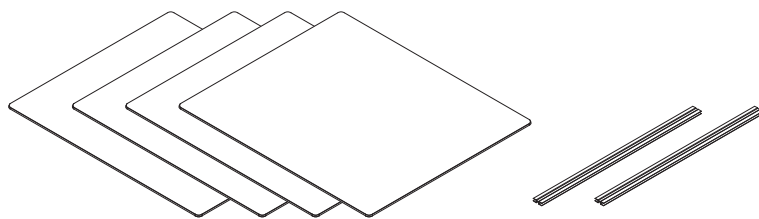
*the good-fences*

# Protective Acrylic Shields

SET OF FOUR · 27 x 23IN

Designed by Poppin in NYC

Included in the boxes:



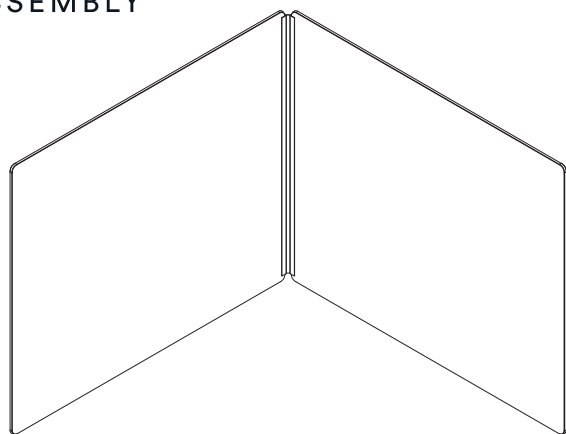
27IN SIDE PANELS

HINGES



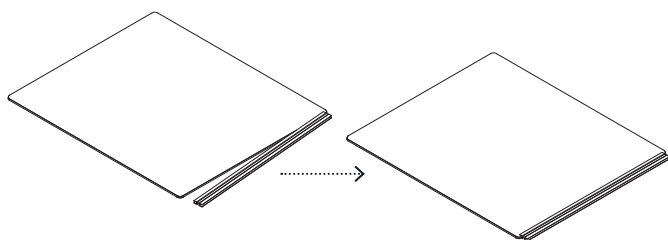
PRIVACY EDGE CLIPS\*

## BIFOLD ASSEMBLY

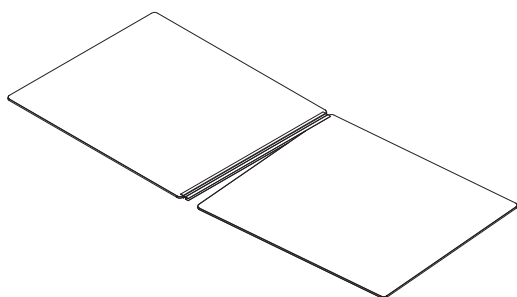


1. Lay the first panel flat and attach the hinge angling in from the top down.

\*Bi-fold shields do not include edge clips



2. Attach the second panel to the hinge, angling the side panel in from the top down.



## SIDE PANEL + CLIPS

### INSTALLATION

1. Slot the edge clips onto the bottom of the panel. For best fit and performance, position them equally from the ends and tighten the set screw.

2. Slot the edge clips onto the desk top edge desk top.

