

Nomad

Task Chair
Assembly Instructions



HARDWARE INCLUDED:



A x6
M6 - 30mm



B x6
M6 - 14mm



x1
M5



C x3
M8 - 25mm



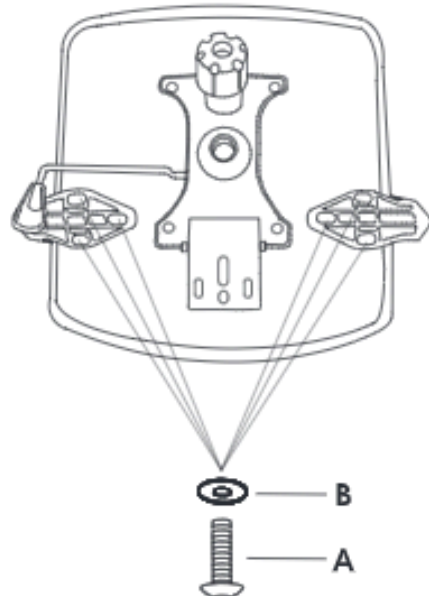
D x3
M8



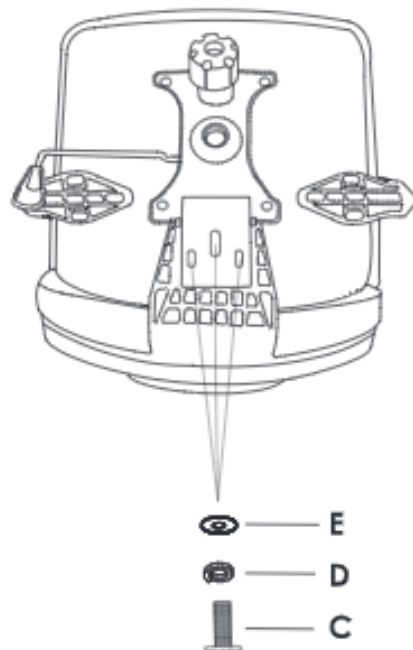
E x3
M8 - 22mm

1. Screw in 6 bolts to secure arms to the seat.

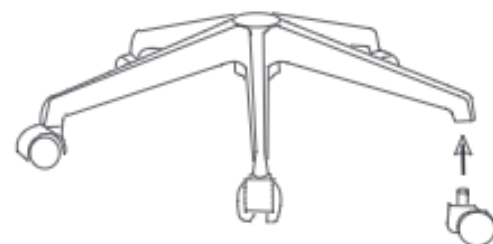
FRONT EDGE OF SEAT



2. Screw in 3 bolts to secure the back to the seat.



3. Insert casters.



4. Assemble chair.

