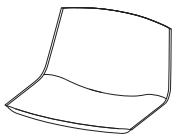


the rest-your-case

Meredith Lounge Chair

ASSEMBLY INSTRUCTIONS

Included in the box:



SEAT



LEGS



CORKSCREW

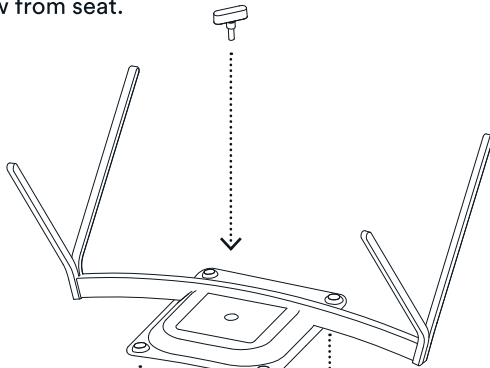


You deserve a little
rest + relaxation.

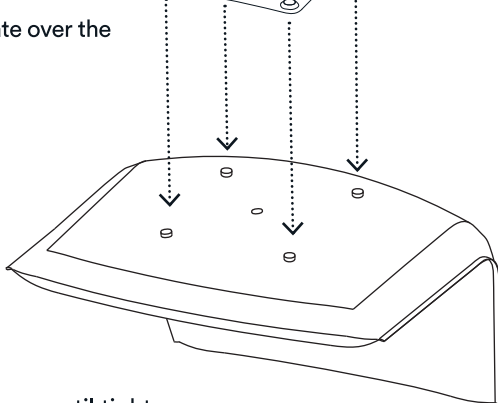


ASSEMBLY

1. Untwist corkscrew from seat.



2. Align the leg plate over the
seat bumpers.



3. Twist in corkscrew until tight.

4. Flip upright, have a seat, then give one more twist.

ABOUT POPPIN

We're the easiest way to outfit your office. From our award-winning design to our helpful team of experts, we've built our brand to radically simplify the office furniture industry.

CARE

Doing a little dirty work? Soak up the spill and then blot with warm water + mild soap.

100% WORK HAPPINESS GUARANTEE

For full warranty details, visit poppin.com

WARNING/DISCLAIMER

Listen up, daredevils! (And anyone trying to reach that top shelf). Do not stand on this product. Use only as intended. Failure to follow these instructions could result in property damage or personal injury.

Shop the complete furniture collection at poppin.com



Designed by Poppin in NYC

Poppin, Inc.
1115 Broadway, 3rd Floor
New York, NY 10010

(888) 676-7746
hi@poppin.com
[@workhappy @poppin](https://twitter.com/workhappy)

For patent or patent application
information visit poppin.com/patents
©Poppin 2019

v01_Dec2018