

the knock-on-wood

Cleo Credenza

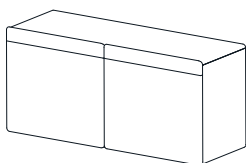
ASSEMBLY INSTRUCTIONS

Designed by Poppin in NYC

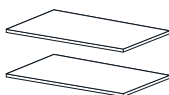
Included in the boxes:



LEGS



CABINET

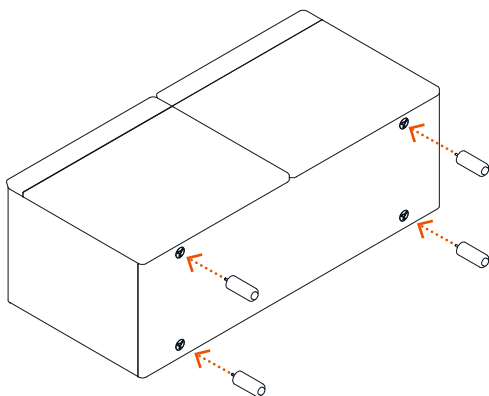


SHELVES

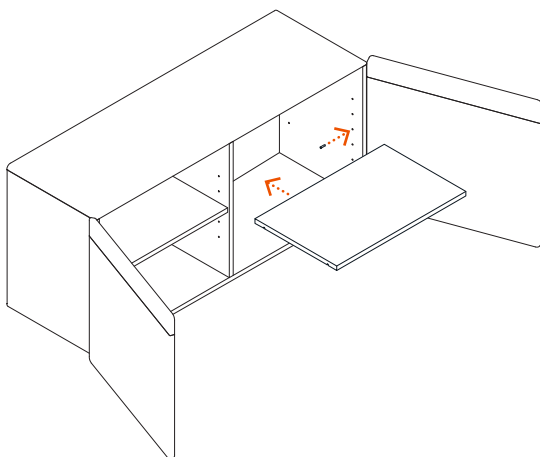


SHELF PINS

- 1 Screw the legs (or glides) into the cabinet and stand it upright



- 2 Install the shelf pins and the shelves



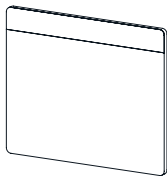
the knock-on-wood

Cleo Credenza Add On Door

ASSEMBLY INSTRUCTIONS

Designed by Poppin in NYC

Included in the box:

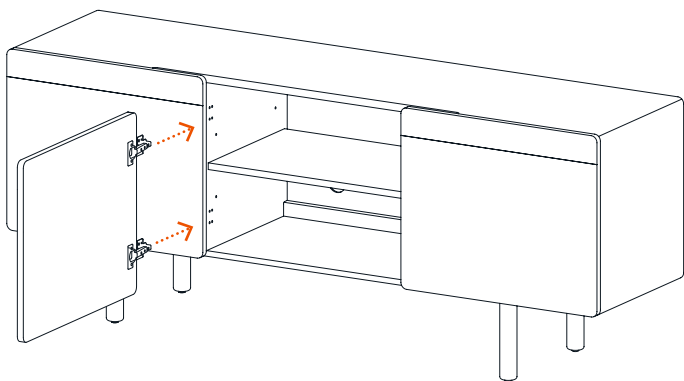


ADD ON DOOR

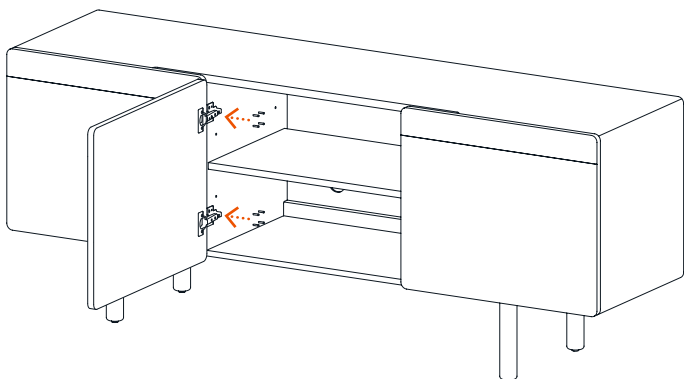


SCREWS X8

Tools needed:



- 1 Align door hinges with pre-drilled holes in the cabinet and install using the screws provided.



Poppin, Inc.

1115 Broadway, 3rd Floor
New York, New York 10010

(888) 676-7746

hi5@poppin.com
poppin.com