

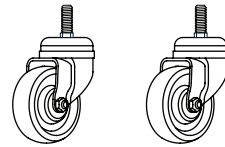
*the sort-it-out*

# Stash Collection Caster Installation

LET'S GET ROLLING!



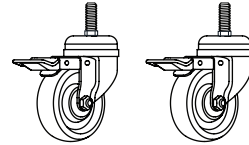
4X WASHERS



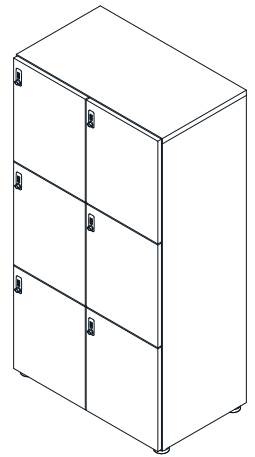
2X CASTERS  
WITHOUT BRAKE LEVER



WRENCH

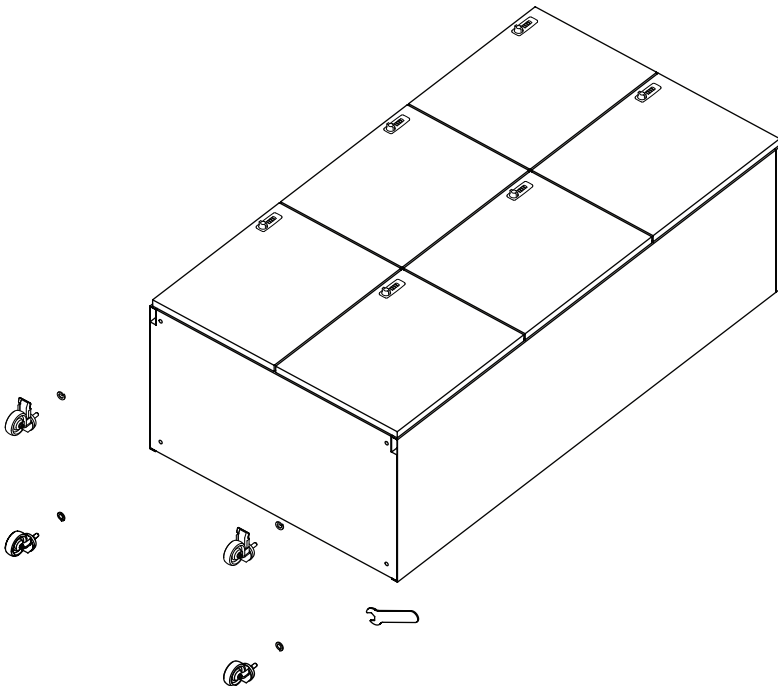


2X CASTERS  
WITH BRAKE LEVER



Works with our Stash  
Collection, including the  
Stash Coat Locker

1. Lay the cabinet on the floor and unscrew the pre-installed glides.
2. Screw in the caster, making sure to place the lockable casters on the front side of the cabinet.
3. Tighten casters using the flat wrench provided.



4. Stand the cabinet upright.

