



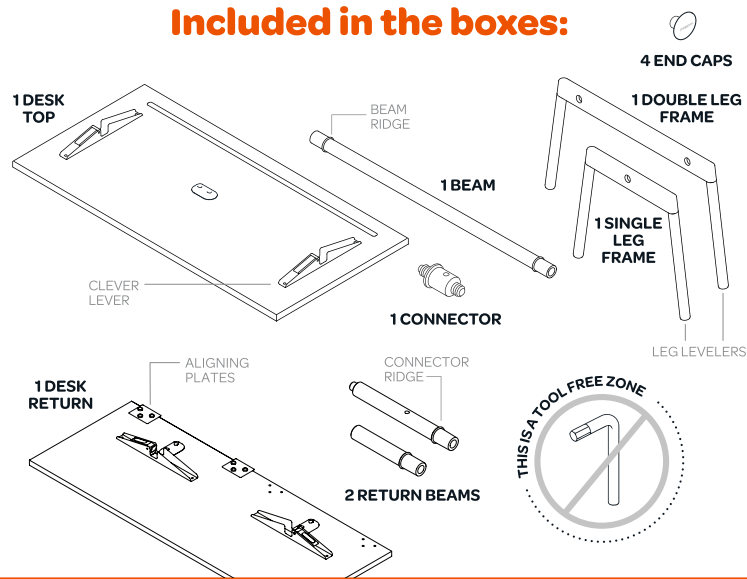
the alpha

Series A L-Shaped Desk

ASSEMBLY INSTRUCTIONS

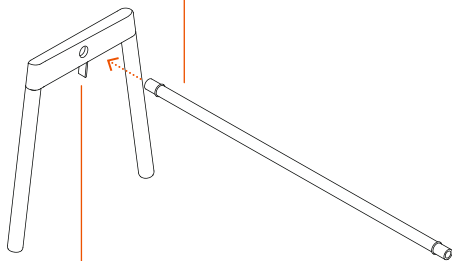
Dreamt up by Poppin in NYC

Included in the boxes:

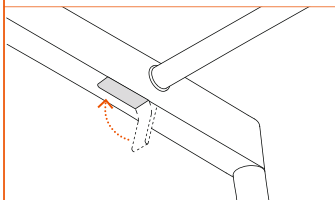


Visit poppin.com/how-to for How-to Videos

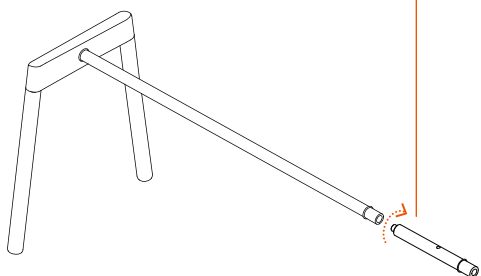
- 1 Grab a buddy. Stand a single leg frame upright and insert beam until beam ridge touches leg frame.



- 2 Lock the Clever Lever to secure the beam in place.



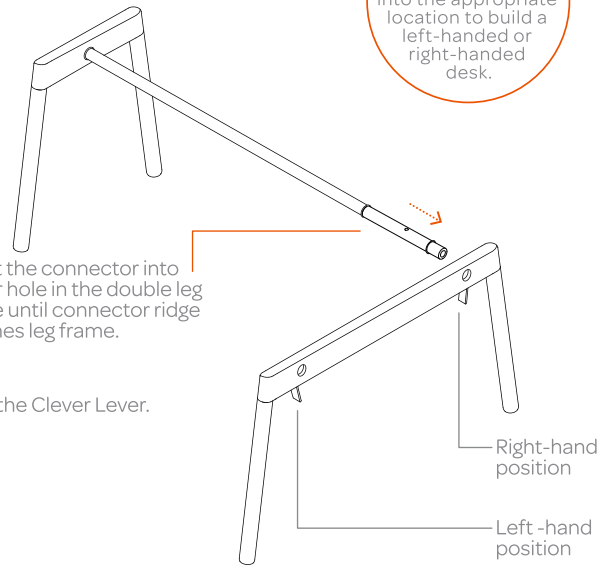
- 3 Screw the connector onto the beam.



HEADS UP!
Insert the beam into the appropriate location to build a left-handed or right-handed desk.

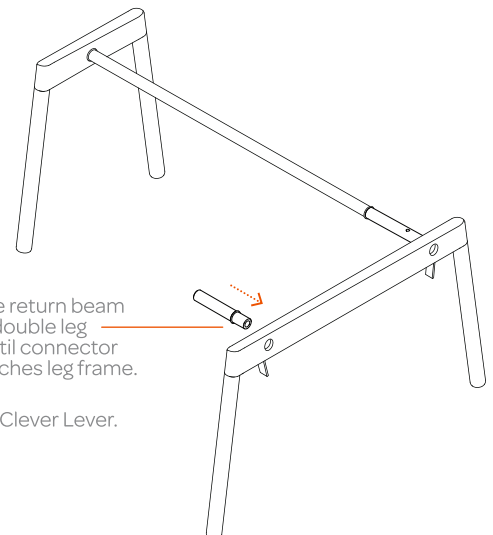
- 4 Insert the connector into either hole in the double leg frame until connector ridge touches leg frame.

- 5 Lock the Clever Lever.



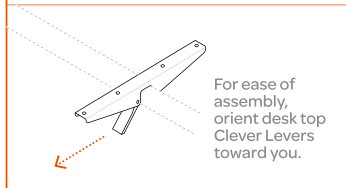
- 6 Insert the return beam into the double leg frame until connector ridge touches leg frame.

- 7 Lock the Clever Lever.

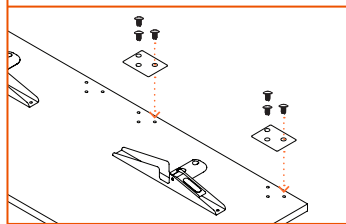


8 Install 4 end caps.

9 Lower the desk top onto the beam.
(Don't lock the Clever Levers yet!)

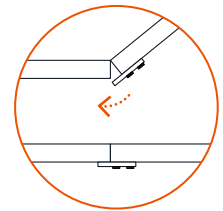
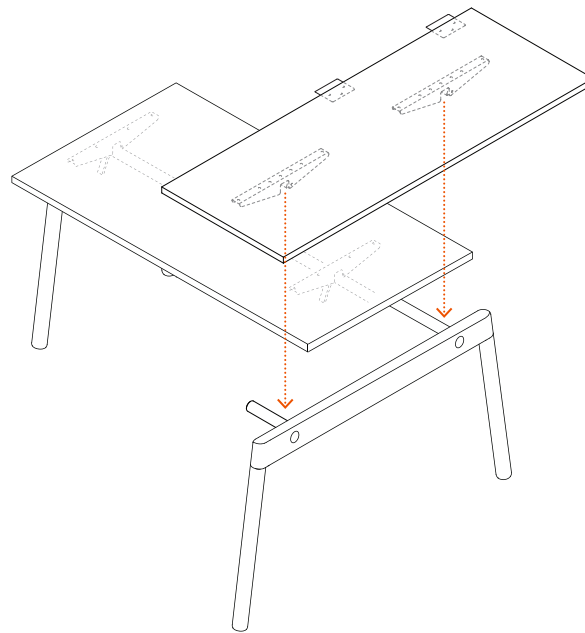
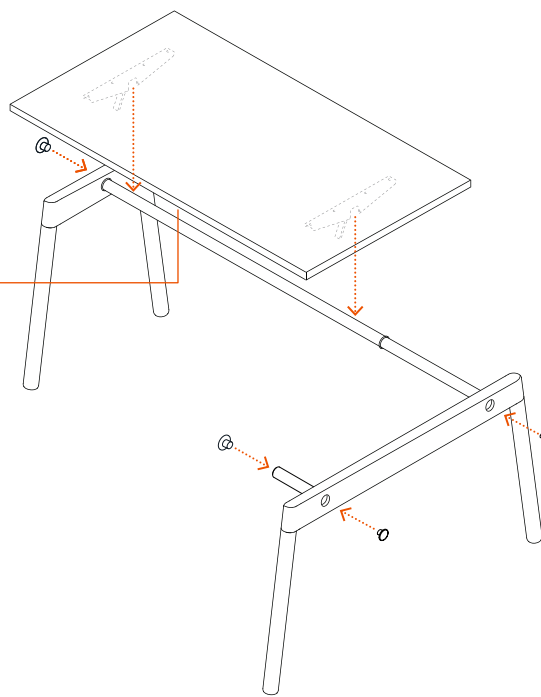


10 For a left-handed desk **only**, relocate the aligning plates on the desk return.



11 Lower the desk return onto the return beams, slotting the aligning plates underneath the desk top.

12 Lock all four Clever Levers.



ABOUT POPPIN

Poppin's furniture and office supplies are designed with your success in mind. From a day-brightening Stapler to a game-changing Desk System, Poppin is the one-stop shop for creating inspiring, modern workspaces.

CARE

Laminate tops are tough guys, but they look best with a little TLC. Wipe up spills quickly, then clean with warm, soapy water and a soft cloth. For stubborn dirt, you can't beat a Mr. Clean Magic Eraser.

100% WORK HAPPINESS GUARANTEE

For full warranty + care details, visit poppin.com

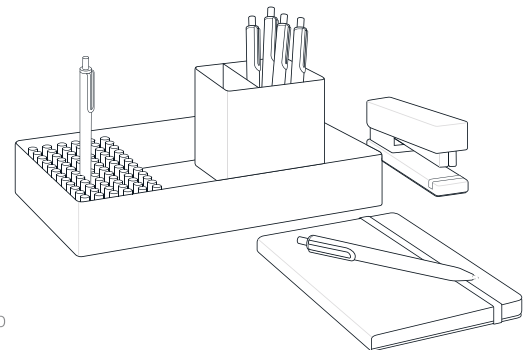
WARNING/DISCLAIMER

Heads up, daredevils! Failure to follow these assembly instructions can result in product failure, personal injury, or property damage.

We recommend performing an annual check up on your Desk System. Ensure that all Clever Levers are fully engaged and that all beam ridges and connector ridges are flush against the leg frame. If these conditions are not met, cease using the furniture until corrections are made.

May not be used as a surfboard or toboggan.

Shop the complete collection at
poppin.com



Poppin, Inc.
New York, NY 10010

(888) 676-7746
hi@poppin.com
[#workhappy@poppin](https://twitter.com/workhappy@poppin)

For patent or patent application information visit poppin.com/patents

©Poppin 2018

105604_LAB_001