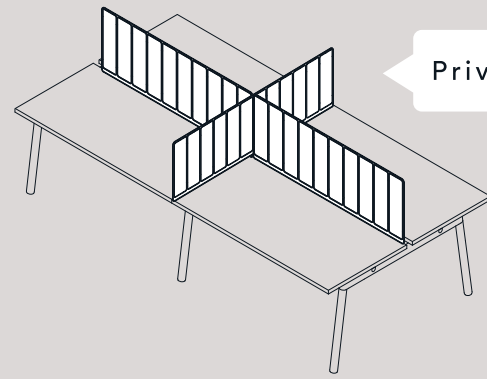


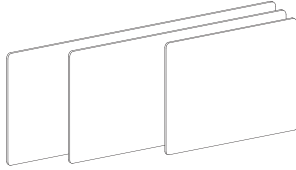
the good-fences

# Privacy Panels

## SERIES A + SERIES L ADJUSTABLE HEIGHT DESK SYSTEM INSTALLATION INSTRUCTIONS



Privacy, please!



ACRYLIC OR FABRIC PANELS

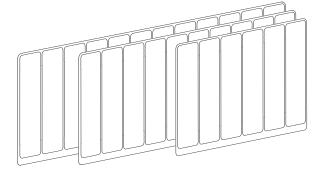
Included in the boxes:



PRIVACY EDGE CLIPS\*



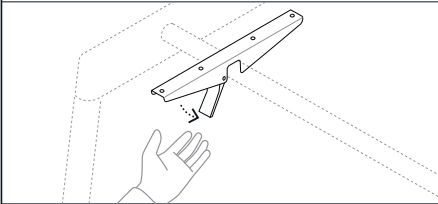
4mm Allen wrench



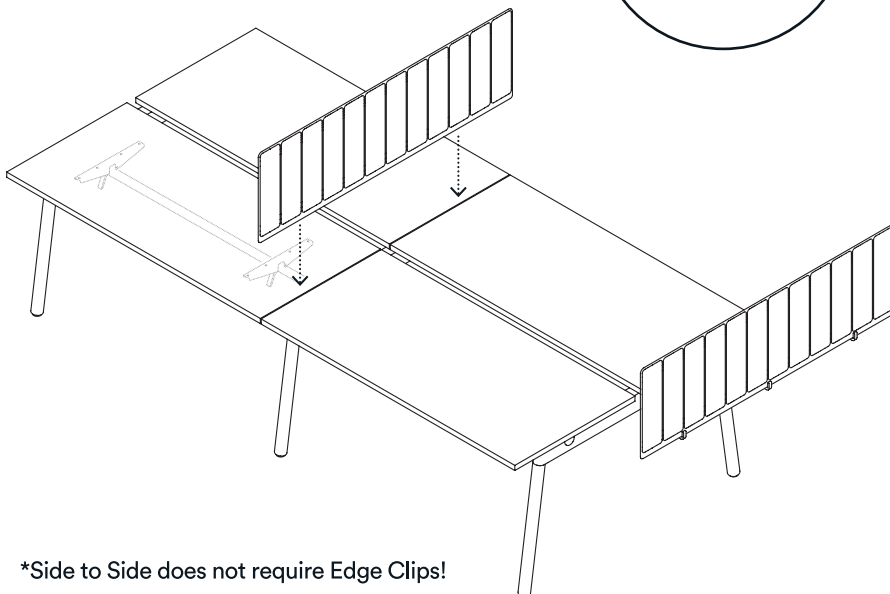
MOLDED PANELS

### SIDE-TO-SIDE INSTALLATION:

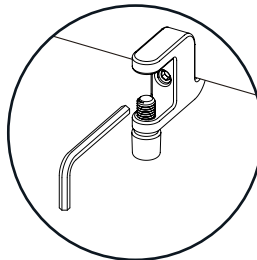
1. Unlock each desk top Clever Lever and slide the tops away from the center of the desk row.



2. Begin at the center of the desk row and insert the first panel between two desk tops. While pushing the tops together firmly, lock the Clever Levers.
3. Continue installing panels outwards from center, locking Clever Levers as you go.

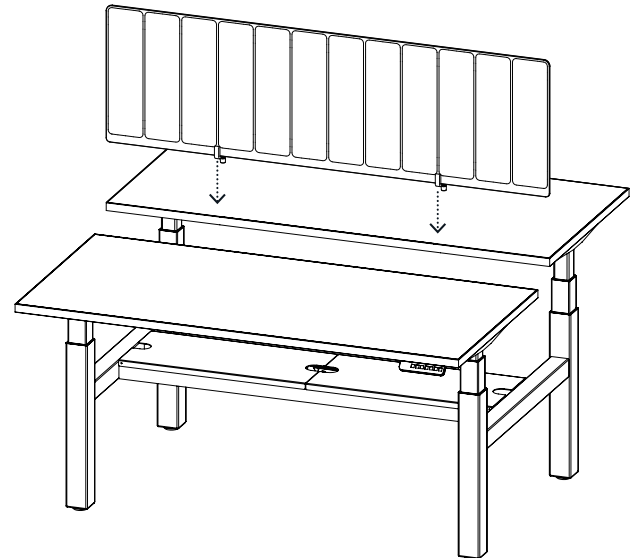


**HEADS UP!**  
Complete any side-to-side installations before beginning face-to-face installations.



### FACE-TO-FACE INSTALLATION:

1. Slot the edge clips onto the bottom of the panel. For best fit and performance, position them equally from the ends and tighten the set screw.
2. Slot the edge clips onto the desk top edge and screw the clamp pins tightly to the desk top.



\*Side to Side does not require Edge Clips!

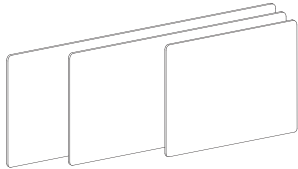
the legwork

# Modesty Panels

## SERIES A + SERIES L ADJUSTABLE HEIGHT DESK SYSTEM INSTALLATION INSTRUCTIONS



### Included in the boxes:



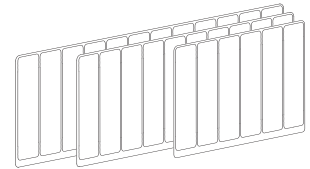
ACRYLIC OR FABRIC PANELS



MODESTY EDGE CLIPS



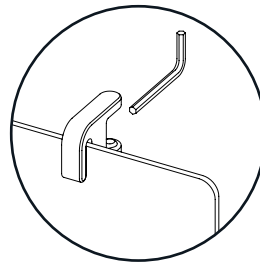
4mm Allen wrench



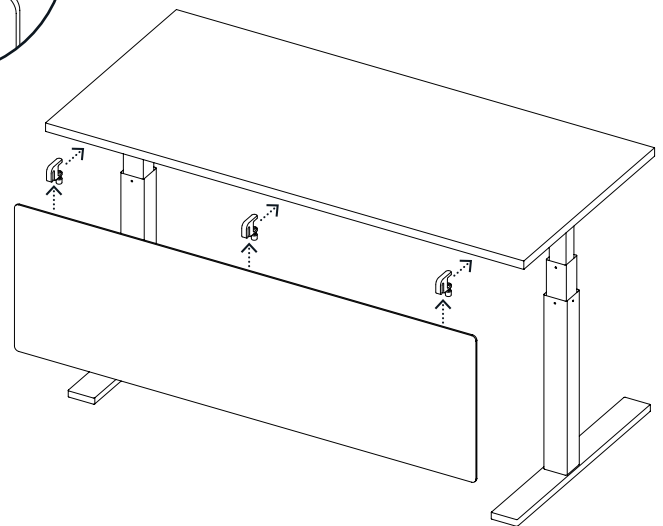
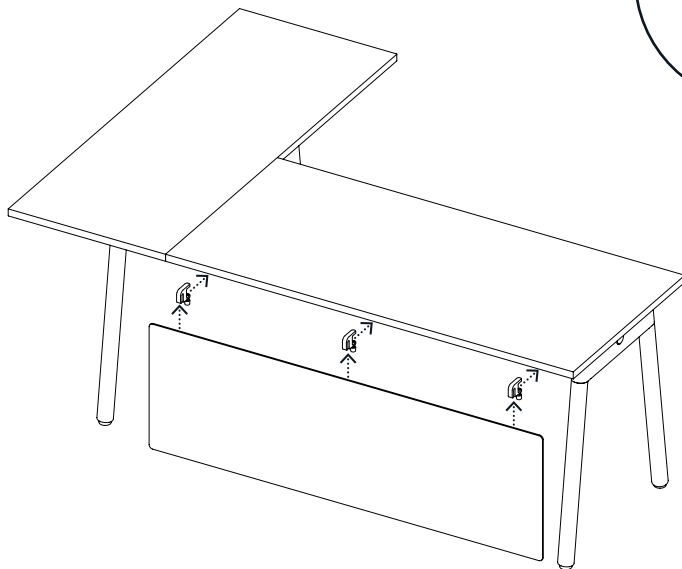
MOLDED PANELS

### MODESTY INSTALLATION:

1. Slot the edge clips onto the panel. For best fit and performance, position them equally from the ends and tighten the set screw.



2. Slot the edge clips onto the desk top edge and screw the clamp pins tightly to the desk top.



### ABOUT POPPIN

Poppin's furniture and office supplies are designed with your success in mind. From a day-brightening Stapler to a game-changing Desk System, Poppin is the one-stop shop for creating inspiring, modern workspaces.

### CARE

Acrylic Privacy Panels should be dusted with a dry, soft cloth. Remove stains with warm soapy water and a soft cloth. PET Privacy Panels should be blotted with a damp cloth and warm soapy water to remove stains. Use a lint roller or tape to pick up any dust or debris. PET is pliable so got ahead an pin up that list of to-dos or your favorite cat pic.

### 100% WORK HAPPINESS GUARANTEE

For full warranty + care details, visit [poppin.com](http://poppin.com)

### WARNING/DISCLAIMER

Heads up, daredevils! Failure to follow these installation instructions can result in product failure, personal injury, or property damage.

We recommend performing an annual check up on your Desk System. Ensure that all Clever Levers are fully engaged and that all beam ridges and connector ridges are flush against the leg frame. If these conditions are not met, cease using the furniture until corrections are made.

**Poppin, Inc.**  
16 Madison Square West, 3rd Floor  
New York, NY 10010

(888) 676-7746  
[hi@poppin.com](mailto:hi@poppin.com)  
[@workhappy @poppin](https://www.instagram.com/workhappy)

Designed by Poppin in NYC  
Shop the complete furniture collection at [poppin.com](http://poppin.com)

For patent or patent application  
information visit [poppin.com/patents](http://poppin.com/patents)  
©Poppin 2019

v02\_May2019