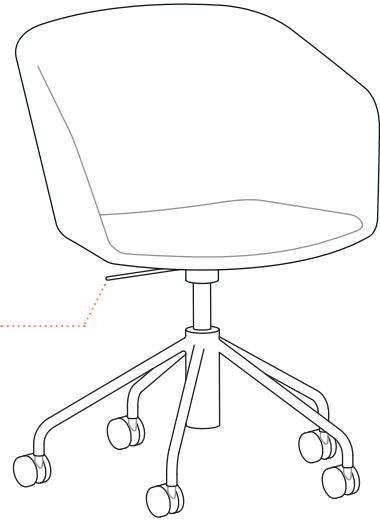


I bring a lot to the table.

the live-for-the-presentation  
**Pitch Meeting Chair**

ASSEMBLY INSTRUCTIONS

Designed by Poppin in NYC

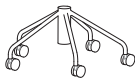


Visit [poppin.com/how-to](http://poppin.com/how-to) for How-to Videos

Included in the box:



SEAT



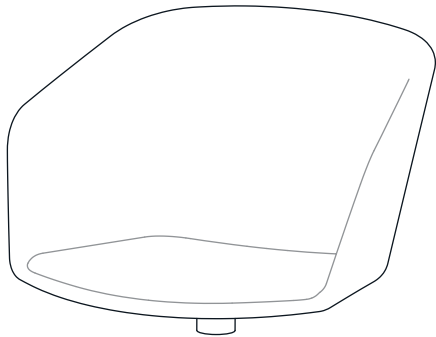
CASTER BASE



PNEUMATIC CYLINDER



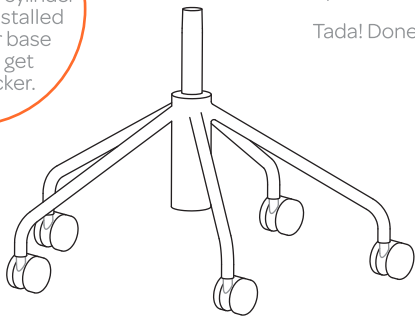
ASSEMBLY



**★ HEADS UP!**  
The pneumatic cylinder arrives pre-installed in the caster base so you can get rolling quicker.

Place the seat on top of the pneumatic cylinder.

Tada! Done.



**ABOUT POPPIN**

Poppin's furniture and office supplies are designed with your success in mind. From a day-brightening Stapler to a game-changing Desk System, Poppin is the one-stop shop for creating inspiring, modern workspaces.

**CARE**

Doing a little dirty work? Soak up the spill and then blot with warm water + mild soap.

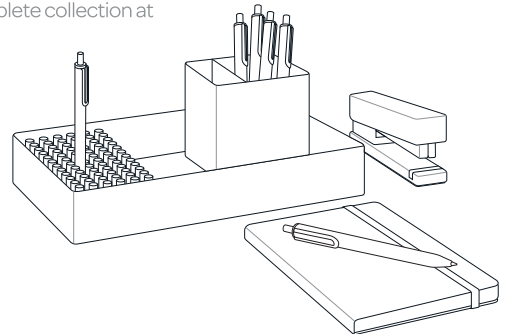
**100% WORK HAPPINESS GUARANTEE**

For full warranty details, visit [poppin.com](http://poppin.com)

**WARNING/DISCLAIMER**

Listen up, daredevils! (And anyone trying to reach that top shelf). Do not stand on this product. Use only as intended. Failure to follow these instructions could result in property damage or personal injury.

Shop the complete collection at [poppin.com](http://poppin.com)



Poppin, Inc.  
New York, NY 10010

(888) 676-7746  
[hi@poppin.com](mailto:hi@poppin.com)  
[@workhappy](https://twitter.com/workhappy)