

*the outta-sight*

# Cable Hideaway For Series L Adjustable Height Desk

## INSTALLATION INSTRUCTIONS

Designed by Poppin in NYC

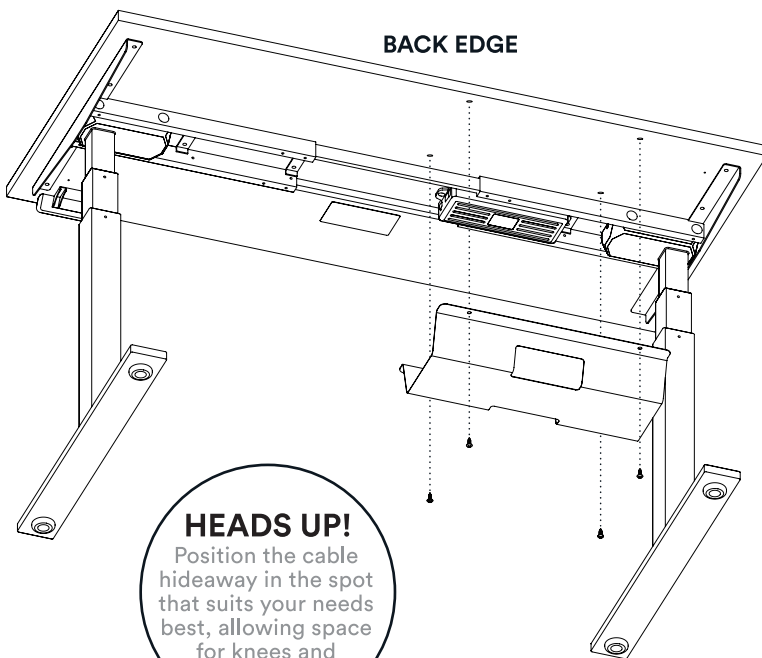
Included in the box:



Tools needed:



## INSTALLATION



**HEADS UP!**

Position the cable hideaway in the spot that suits your needs best, allowing space for knees and file cabinets.

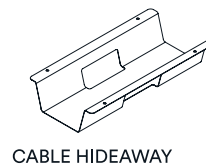
*the outta-sight*

# Cable Hideaway For Series A Single Desk

## INSTALLATION INSTRUCTIONS

Designed by Poppin in NYC

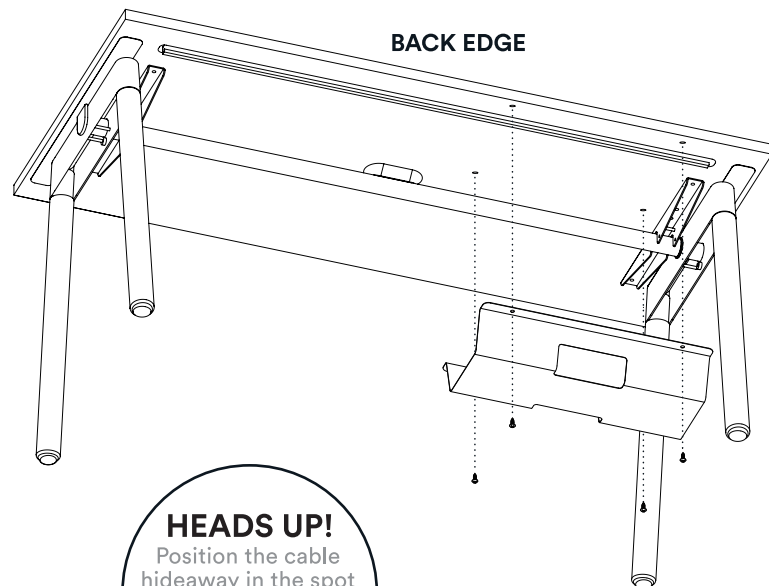
Included in the box:



Tools needed:



## INSTALLATION



**HEADS UP!**

Position the cable hideaway in the spot that suits your needs best, allowing space for knees and file cabinets.