

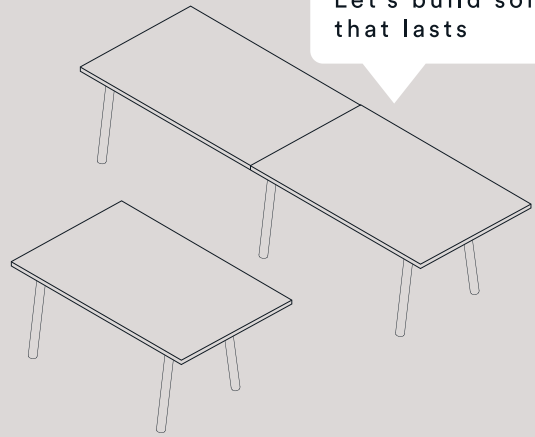
the alpha

Series A Table for 6

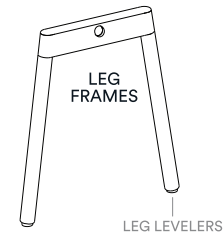
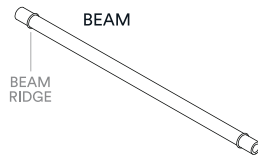
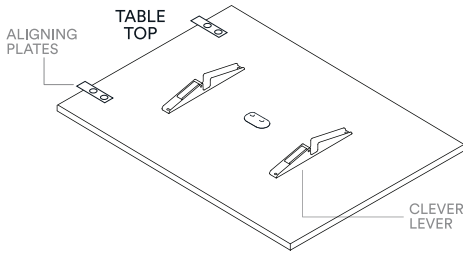
72 x 30 IN · 72 x 36 IN

ASSEMBLY INSTRUCTIONS

Let's build something that lasts

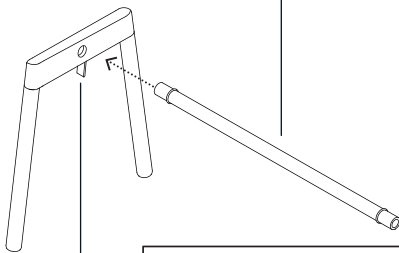


Included in the boxes:

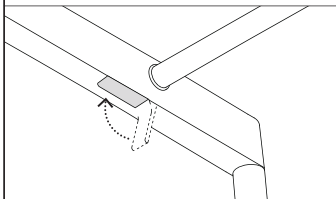


SERIES A TABLE FOR 6

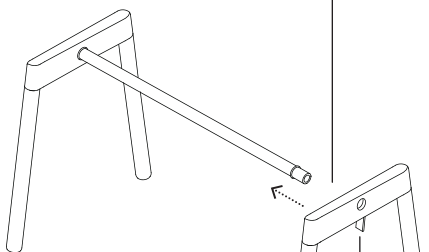
1. Grab a buddy. Stand one leg frame upright and insert beam until beam ridge touches leg frame.



2. Lock the Clever Lever to secure the beam in place.

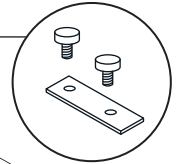


3. Fully insert the beam into the next leg frame up to the beam ridge.

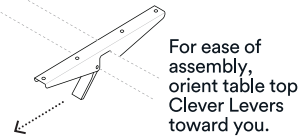


4. Lock the Clever Lever.

5. Unscrew aligning plates from table top. They will not be used in this configuration.

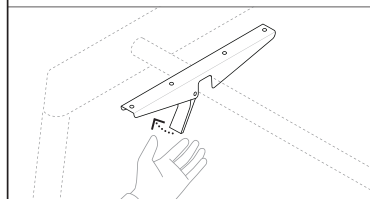


6. Lower tops onto beams. (Don't lock the Clever Levers yet!)



7. Cap off the beam ends.

8. Center the table top, then lock all the Clever Levers.



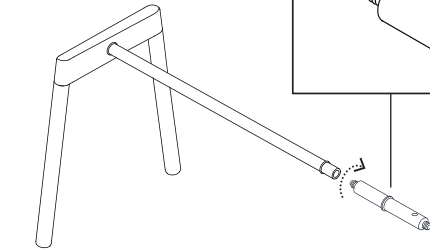
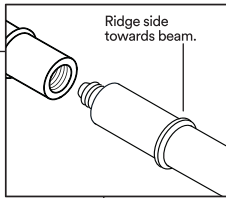
9. Level legs if needed by twisting leg levelers.

Turn over for Series A Table for 10 assembly

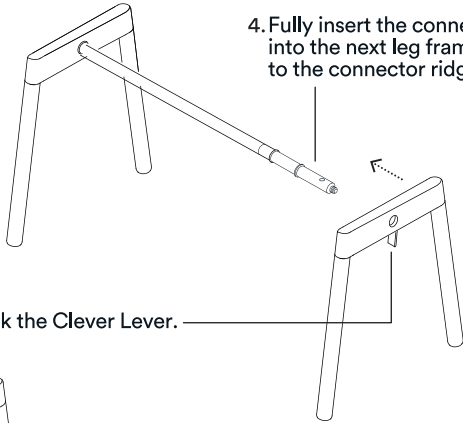
Series A Table for 10

144 x 36 IN

3. Complete steps 1 and 2 from front page then screw the connector onto the beam.

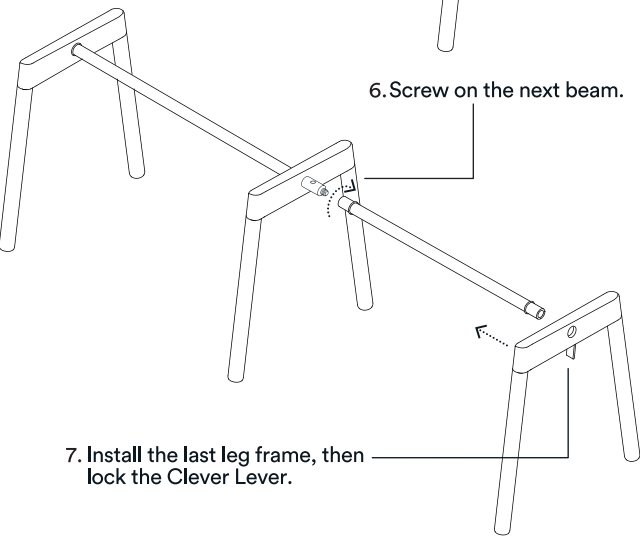


4. Fully insert the connector into the next leg frame up to the connector ridge.

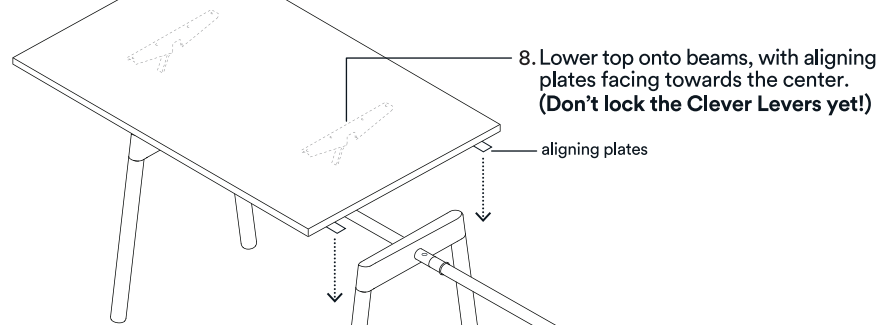


5. Lock the Clever Lever.

6. Screw on the next beam.

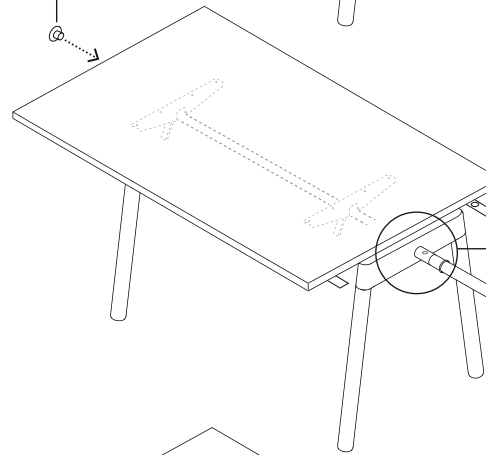


7. Install the last leg frame, then lock the Clever Lever.

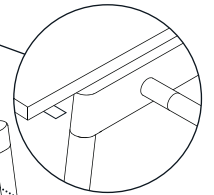


8. Lower top onto beams, with aligning plates facing towards the center. (Don't lock the Clever Levers yet!)

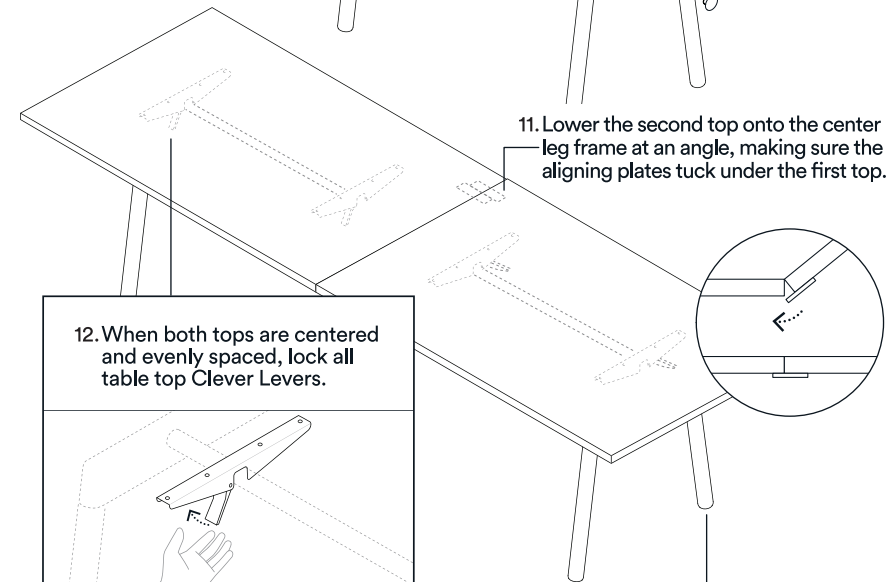
9. Cap off the beam ends.



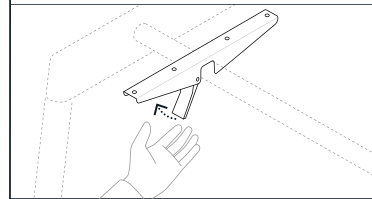
10. Align the table tops so they share the center leg frame equally.



11. Lower the second top onto the center leg frame at an angle, making sure the aligning plates tuck under the first top.



12. When both tops are centered and evenly spaced, lock all table top Clever Levers.



13. Level legs if needed by twisting leg levelers.

ABOUT POPPIN

We're the easiest way to outfit your office. From our award-winning design to our helpful team of experts, we've built our brand to radically simplify the office furniture industry.

CARE

Laminate tops are tough guys, but they look best with a little TLC. Wipe up spills quickly, then clean with warm, soapy water and a soft cloth. For stubborn dirt, you can't beat a Mr. Clean Magic Eraser.

100% WORK HAPPINESS GUARANTEE

For full warranty details, visit poppin.com

WARNING/DISCLAIMER

Heads up, daredevils! Failure to follow these assembly instructions can result in product failure, personal injury, or property damage.

We recommend performing an annual check up on your table. Ensure that all Clever Levers are fully engaged and that all beam ridges and connector ridges are flush against the leg frame. If these conditions are not met, cease using the furniture until corrections are made.

Shop the complete furniture collection at poppin.com



Designed by Poppin in NYC

Poppin, Inc.

16 Madison Square West
New York, NY 10010

(888) 676-7746

hi@poppin.com

[@workhappy @poppin](https://twitter.com/workhappy)

For patent or patent application information visit poppin.com/patents

©Poppin 2020

v02_Feb2020