

the alpha

# Series A Table For 8

96 x 42 IN

## ASSEMBLY INSTRUCTIONS

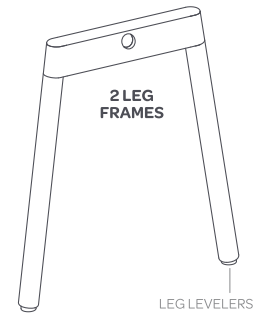
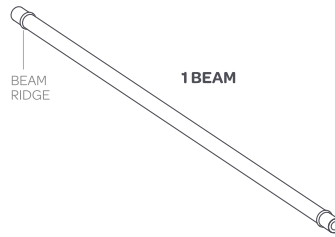
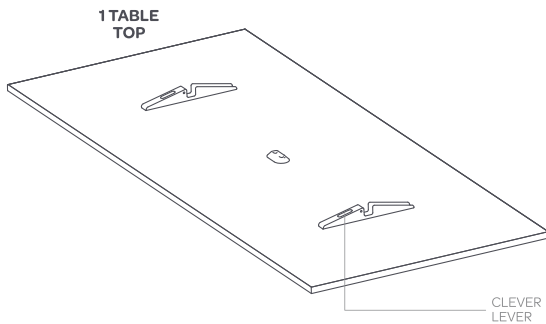
Dreamt up by Poppin in NYC

I'm easy on the eyes and easy to assemble.

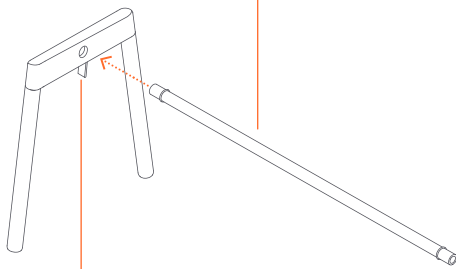


Visit [poppin.com/how-to](https://poppin.com/how-to) for How-to Videos

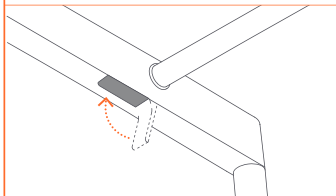
### Included in the boxes:



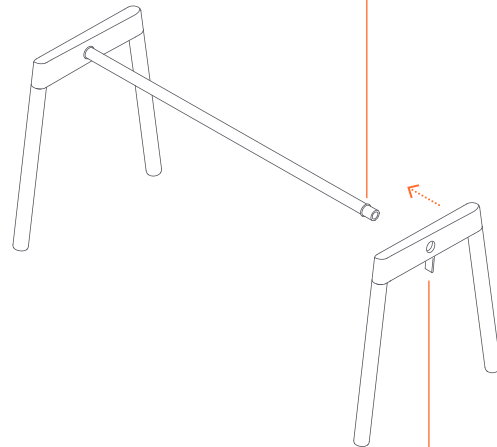
**1** Grab a buddy. Stand one leg frame upright and insert beam until beam ridge touches leg frame.



**2** Lock the Clever Lever to secure the beam in place.

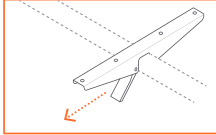


**3** Fully insert the beam into the next leg frame up to the beam ridge.

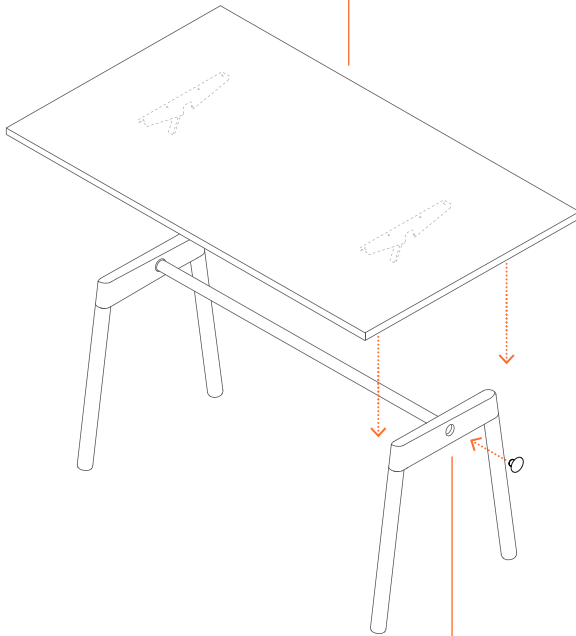


**4** Lock the Clever Lever.

**5** Lower top onto beam.  
**(Don't lock the Clever Levers yet!)**

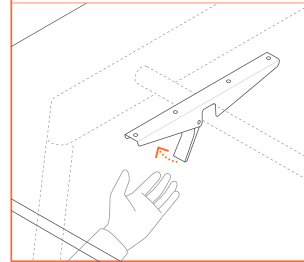
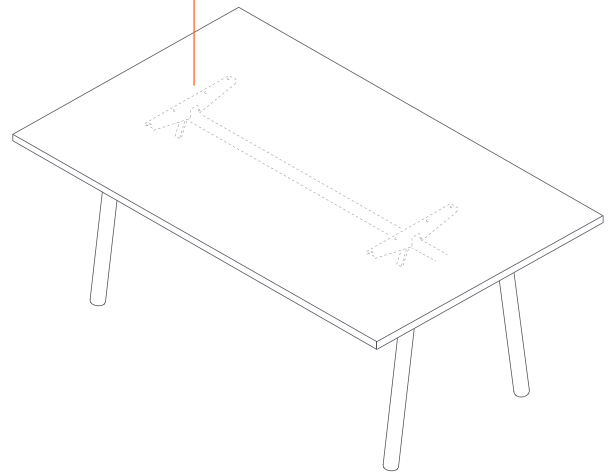


For ease of assembly, orient table top Clever Levers toward you.



**6** Cap off the beam ends.

**7** Center the top and lock the table top Clever Levers.

**8** Level legs if needed by twisting leg levelers.

### ABOUT POPPIN

Poppin's furniture and office supplies are designed with your success in mind. From a day-brightening stapler to a game-changing desk system, Poppin is the one-stop shop for creating inspiring, modern workspaces.

### CARE

Laminate tops are tough guys, but they look best with a little TLC. Wipe up spills quickly, then clean with warm, soapy water and a soft cloth. For stubborn dirt, you can't beat a Mr. Clean Magic Eraser.

### 100% WORK HAPPINESS GUARANTEE

For full warranty + care details, visit [poppin.com](http://poppin.com)

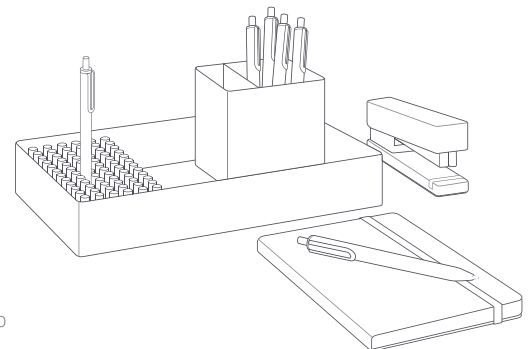
### WARNING/DISCLAIMER

Heads up, daredevils! Failure to follow these assembly instructions can result in product failure, personal injury, or property damage.

We recommend performing an annual check up on your table. Ensure that all Clever Levers are fully engaged and that all beam ridges and connector ridges are flush against the leg frame. If these conditions are not met, cease using the furniture until corrections are made.

May not be used as a toboggan or whitewater raft.

Shop the complete collection at  
[poppin.com](http://poppin.com)



Poppin, Inc.  
New York, NY 10010

(888) 676-7746  
[workstylist@poppin.com](mailto:workstylist@poppin.com)  
[@poppin #workhappy](https://twitter.com/poppin)

For patent or patent application information  
visit [poppin.com/patents](http://poppin.com/patents)

©Poppin 2015

102755\_INSTR\_001