

the alpha

# Series A Table For 10

124 x 42 IN

ASSEMBLY INSTRUCTIONS

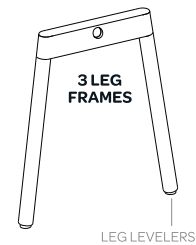
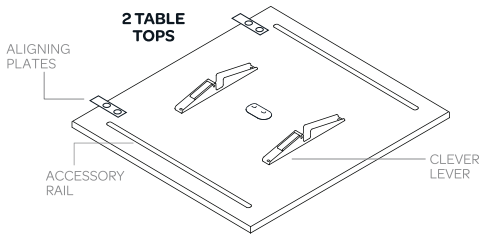
Dreamt up by Poppin in NYC

I'm in this for the long run.



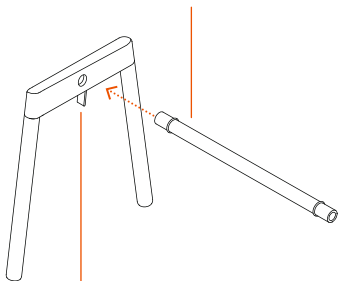
Visit [poppin.com/how-to](http://poppin.com/how-to) for How-to Videos

## Included in the boxes:

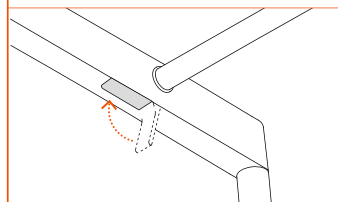


**3 END CAPS\***  
\*ONE WILL BE UNUSED IN THIS CONFIGURATION.

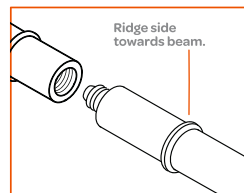
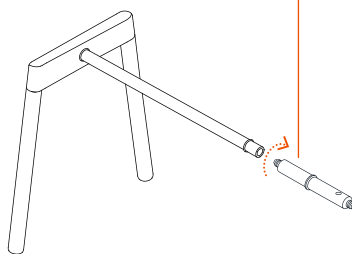
- 1** Grab a buddy. Stand one leg frame upright and insert beam until beam ridge touches leg frame.



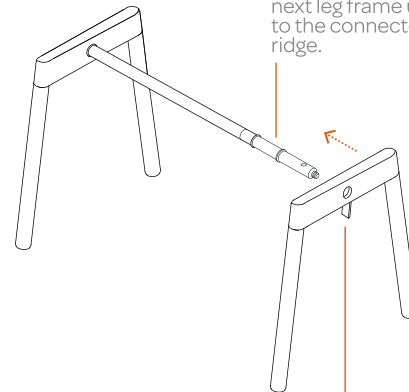
- 2** Lock the Clever Lever to secure the beam in place.



- 3** Screw the connector onto the beam.

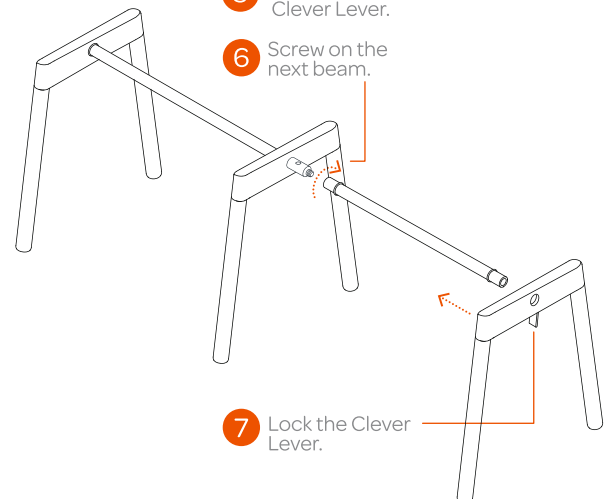


- 4** Fully insert the connector into the next leg frame up to the connector ridge.



- 5** Lock the Clever Lever.

- 6** Screw on the next beam.



- 7** Lock the Clever Lever.

8 Lower top onto beams, aligning plates facing towards the center. **(Don't lock the Clever Levers yet!)**

9 Align the table top so it sits on the center of the leg frame.

10 Cap off the beam ends.

11 Lower the second top onto the center leg frame at an angle, making sure the aligning plates tuck under the first top. Lock the Clever Levers.

12 When all tops are centered and evenly spaced, lock all table top Clever Levers.

13 Level legs if needed by twisting leg levelers.

### ABOUT POPPIN

Poppin's furniture and office supplies are designed with your success in mind. From a day-brightening Stapler to a game-changing Desk System, Poppin is the one-stop shop for creating inspiring, modern workspaces.

### CARE

Laminate tops are tough guys, but they look best with a little TLC. Wipe up spills quickly, then clean with warm, soapy water and a soft cloth. For stubborn dirt, you can't beat a Mr. Clean Magic Eraser.

### 100% WORK HAPPINESS GUARANTEE

For full warranty + care details, visit [poppin.com](http://poppin.com)

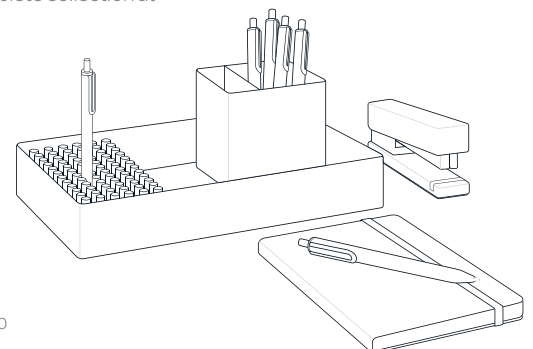
### WARNING/DISCLAIMER

Heads up, daredevils! Failure to follow these assembly instructions can result in product failure, personal injury, or property damage.

We recommend performing an annual check up on your table. Ensure that all Clever Levers are fully engaged and that all beam ridges and connector ridges are flush against the leg frame. If these conditions are not met, cease using the furniture until corrections are made.

May not be used as a toboggan or whitewater raft.

Shop the complete collection at [poppin.com](http://poppin.com)



Poppin, Inc.  
New York, NY 10010

(888) 676-7746  
[workstylist@poppin.com](mailto:workstylist@poppin.com)  
[#poppin](https://twitter.com/poppin) [#workhappy](https://twitter.com/workhappy)

For patent or patent application information visit [poppin.com/patents](http://poppin.com/patents)

©Poppin 2015

102758\_INSTR\_001