

the alpha
Series A Desk

ASSEMBLY INSTRUCTIONS

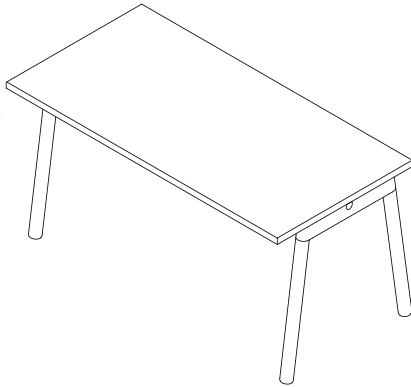
Dreamt up by Poppin in NYC



Visit poppin.com/how-to
for How-to Videos

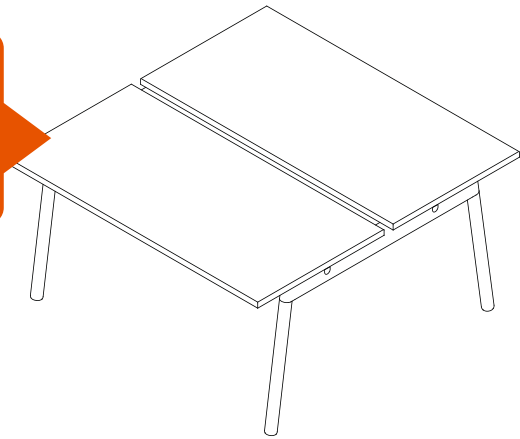
Single Desk

Page 2



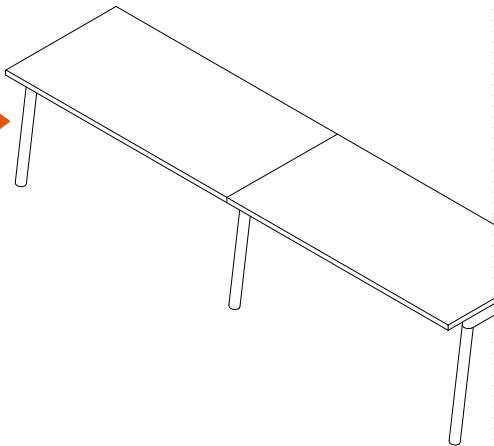
Double Desk

Page 3



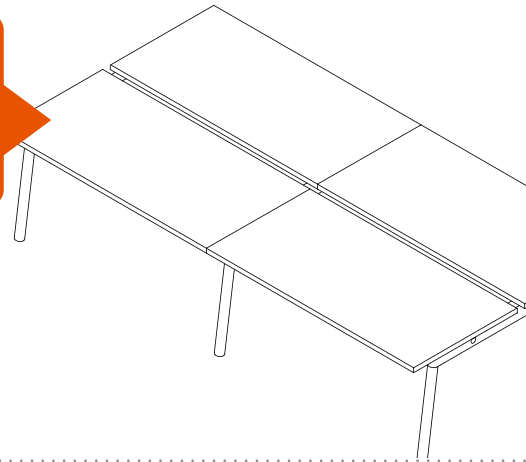
Single Desk Row

Page 4



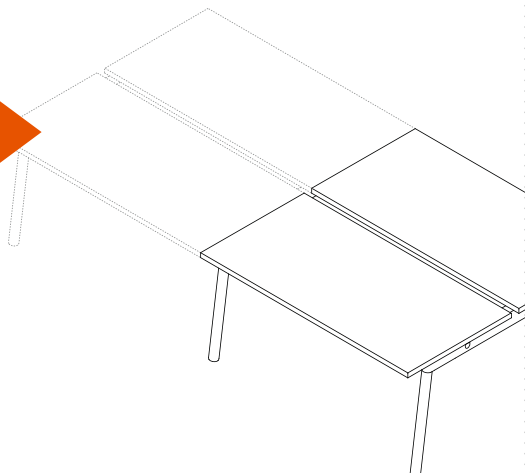
Double Desk Row

Page 6



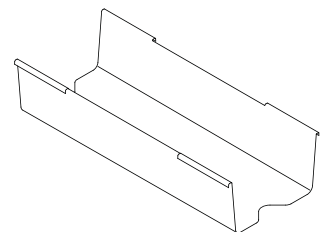
Add-On Desk

Page 8



Cable Hideaway

Page 8

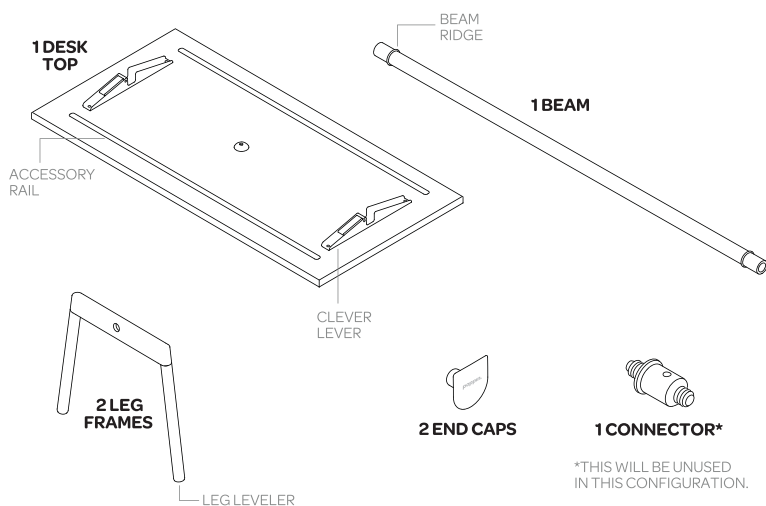


I'm easy on the eyes and easy to assemble.

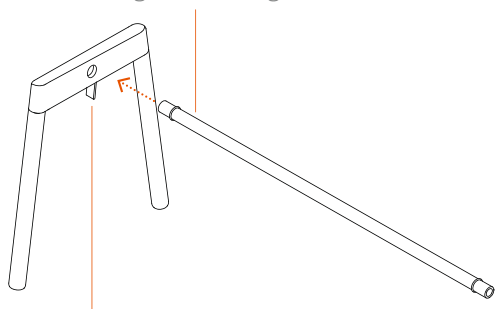
SINGLE DESK



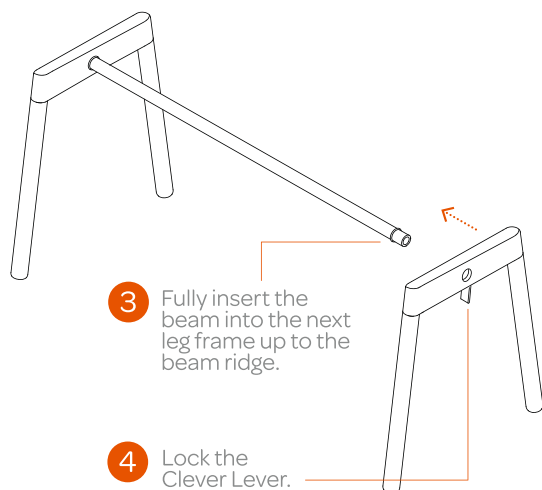
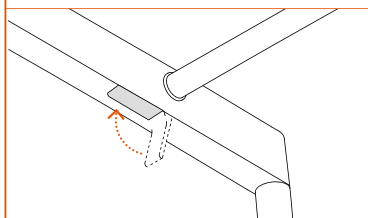
Included in the boxes:



- 1 Grab a buddy. Stand one leg frame upright and insert beam until beam ridge touches leg frame.



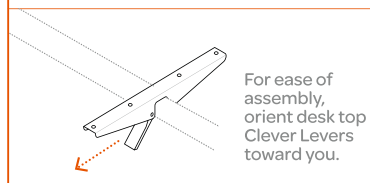
- 2 Lock the Clever Lever to secure the beam in place.



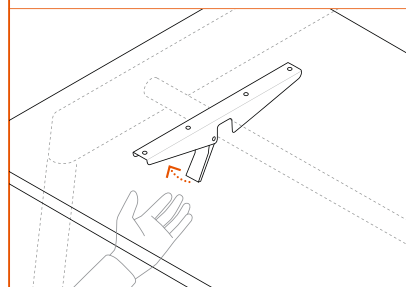
- 3 Fully insert the beam into the next leg frame up to the beam ridge.

- 4 Lock the Clever Lever.

- 5 Lower top on to beam. (Don't lock the Clever Levers yet!)



- 6 Center the top and lock the desk top Clever Levers.

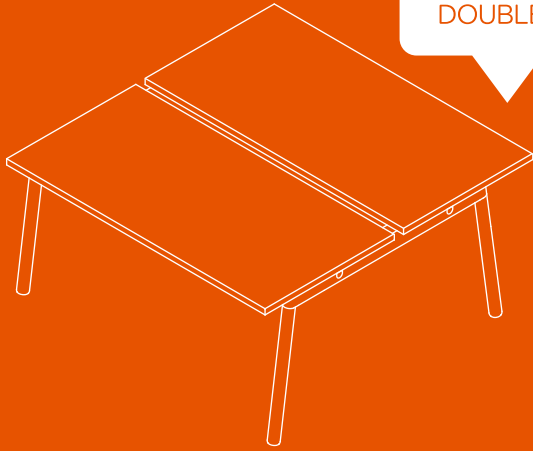


- 7 Cap off the beam ends.

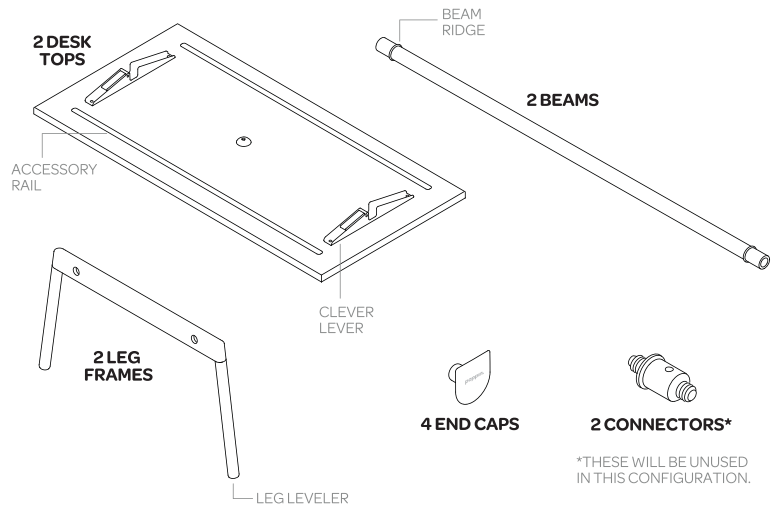
- 8 Level legs if needed by twisting leg leveler.

Let's build something that lasts.

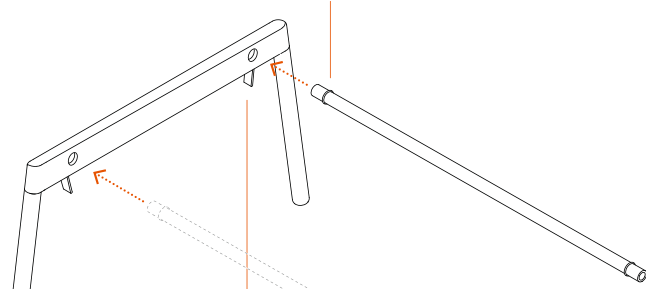
DOUBLE DESK



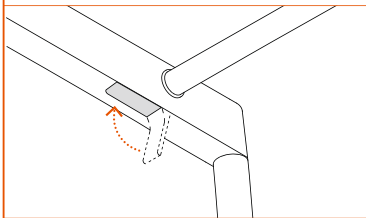
Included in the boxes:



- 1 Grab a buddy. Stand one leg frame upright and insert beams until beam ridges touch leg frame.

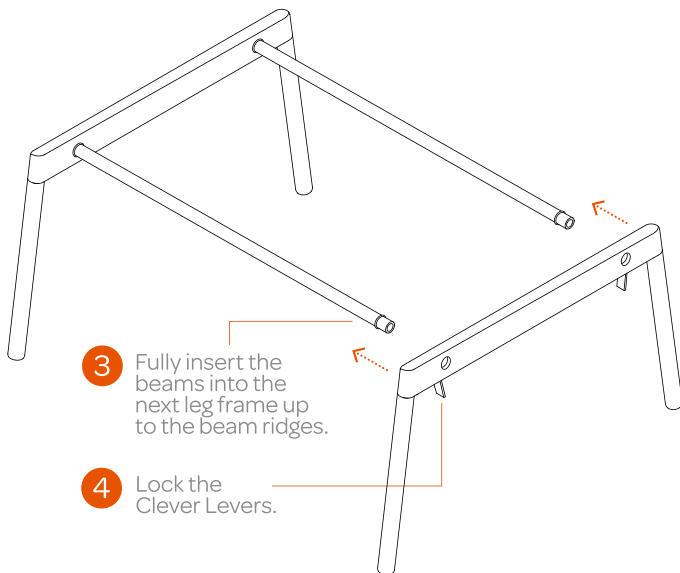


- 2 Lock the Clever Levers to secure the two beams in place.

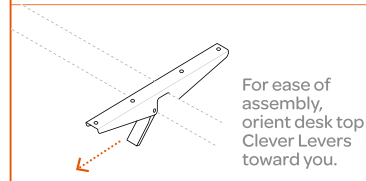


- 3 Fully insert the beams into the next leg frame up to the beam ridges.

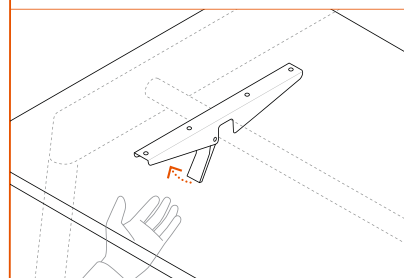
- 4 Lock the Clever Levers.



- 5 Lower tops on to beams. (Don't lock the Clever Levers yet!)

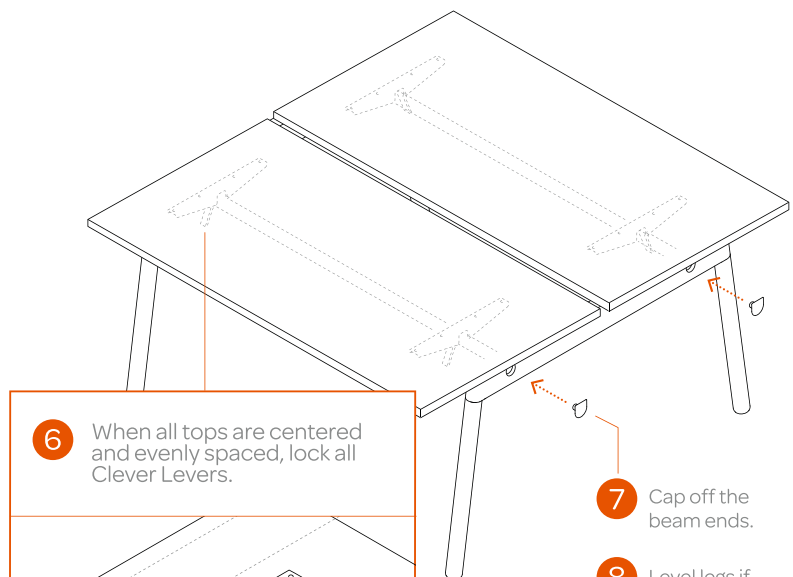


- 6 When all tops are centered and evenly spaced, lock all Clever Levers.



- 7 Cap off the beam ends.

- 8 Level legs if needed by twisting leg leveler.

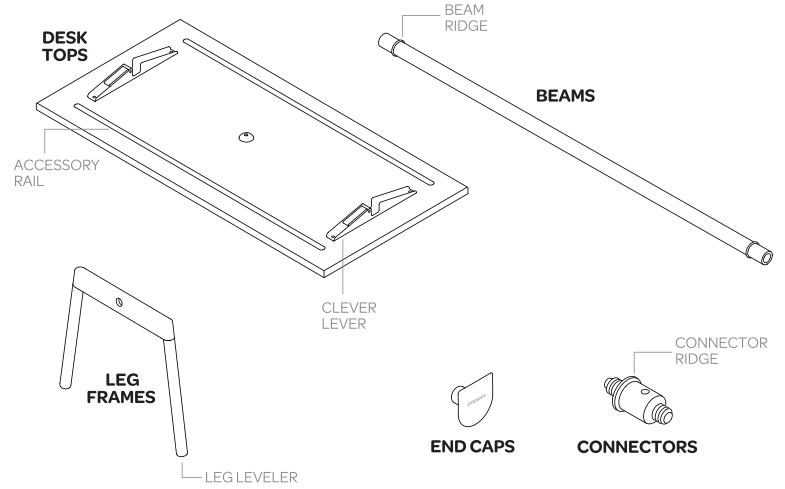


Behind every great idea is a great desk.

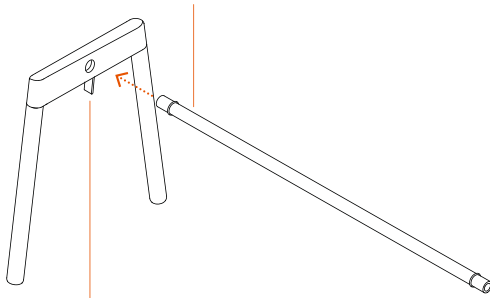
SINGLE DESK ROW



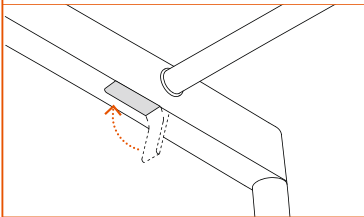
Included in the boxes:



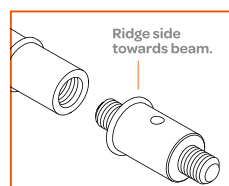
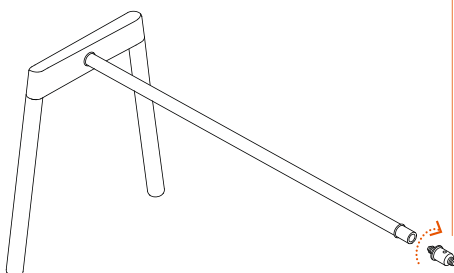
- 1 Grab a buddy. Stand one leg frame upright and insert beam until beam ridge touches leg frame.



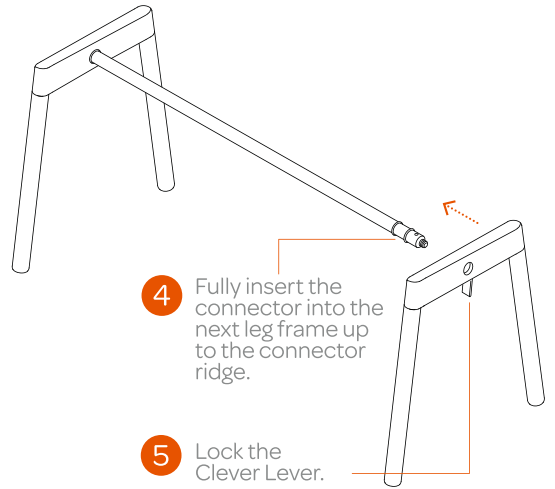
- 2 Lock the Clever Lever to secure the beam in place.



- 3 Screw the connector on to the beam.



- 4 Fully insert the connector into the next leg frame up to the connector ridge.



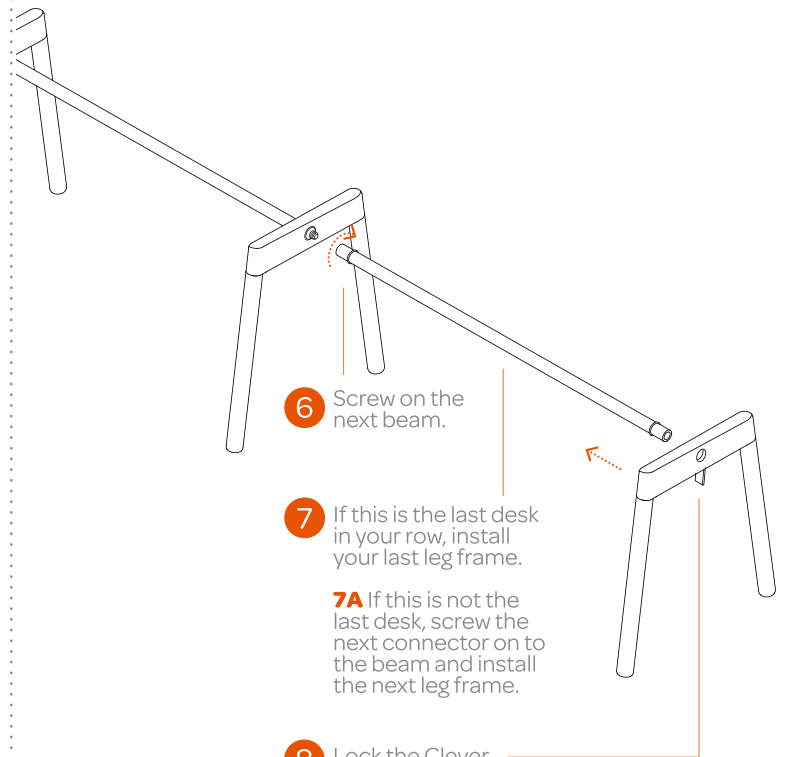
- 5 Lock the Clever Lever.

- 6 Screw on the next beam.

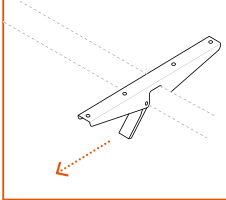
- 7 If this is the last desk in your row, install your last leg frame.

7A If this is not the last desk, screw the next connector on to the beam and install the next leg frame.

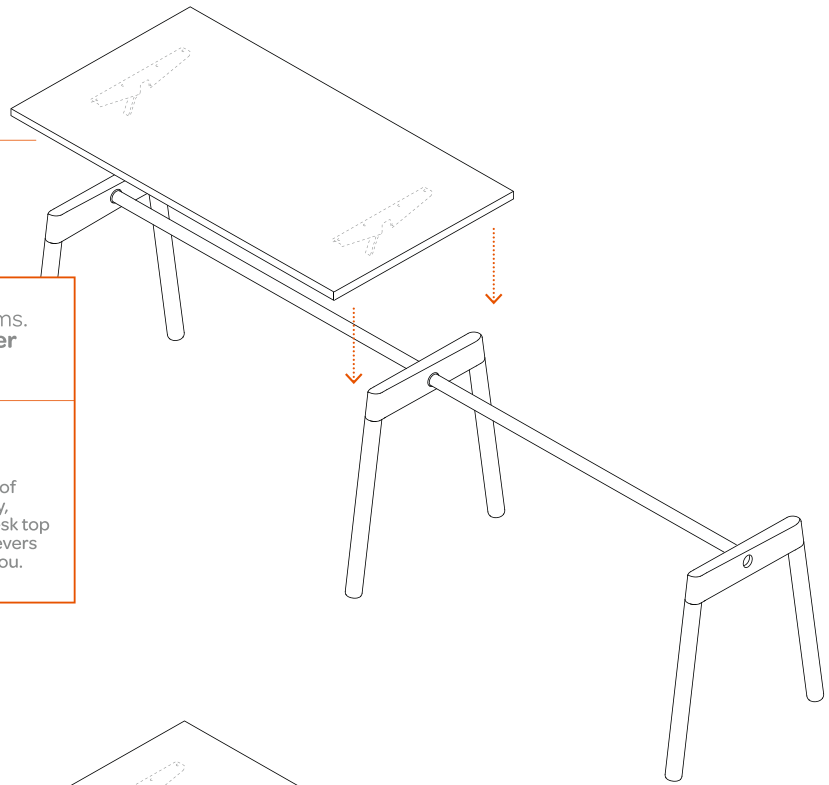
- 8 Lock the Clever Lever.



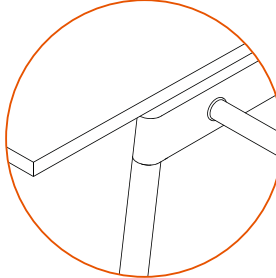
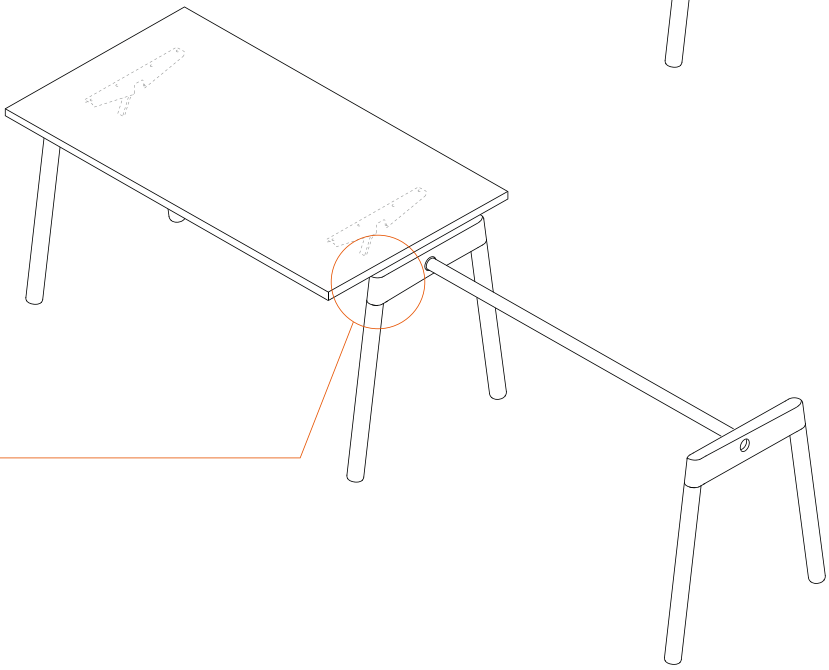
9 Lower tops onto beams.
(Don't lock the Clever Levers yet!)



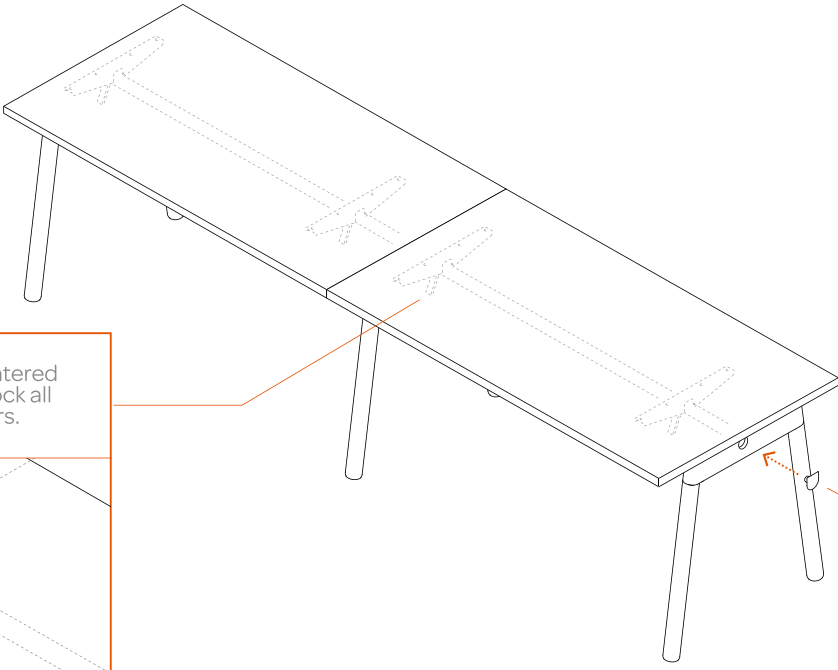
For ease of assembly, orient desk top Clever Levers toward you.



10 Align the desk tops so they share the center leg frame equally.

11 When all tops are centered and evenly spaced, lock all desk top Clever Levers.

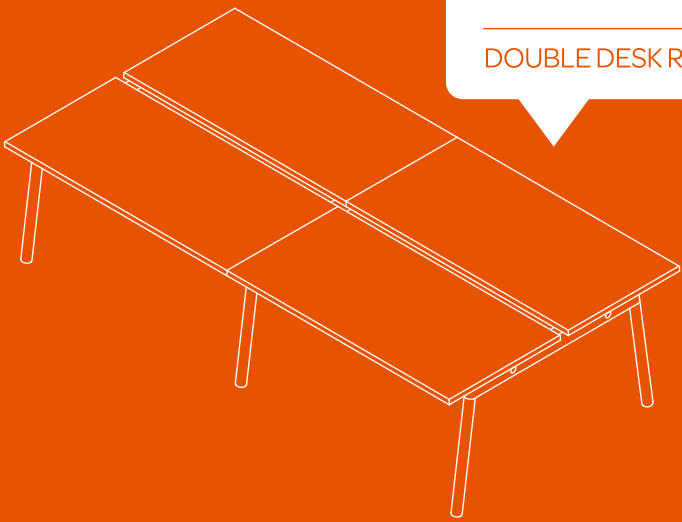
*** HEADS UP!**
You will have 1 unused connector in this configuration.



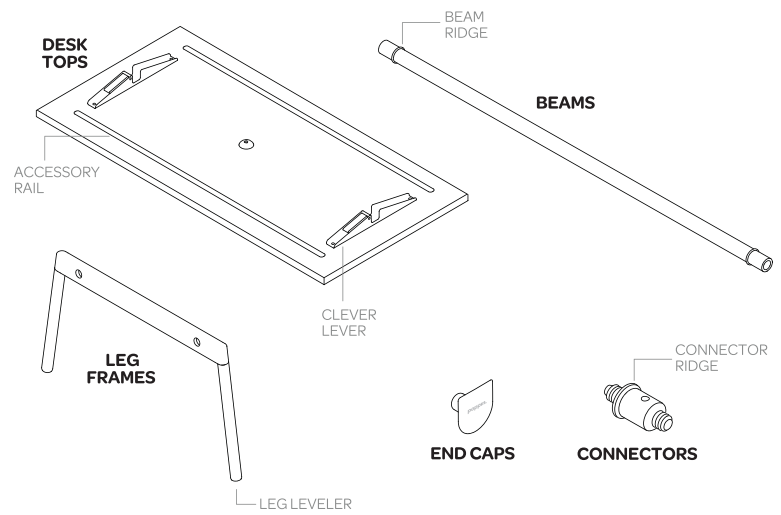
- 12** Cap off the beam ends.
- 13** Level legs if needed by twisting leg leveler.

I'm in this for the long run.

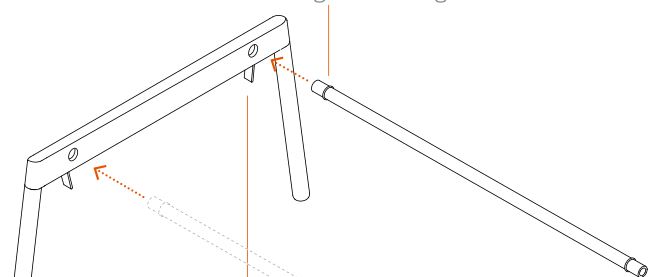
DOUBLE DESK ROW



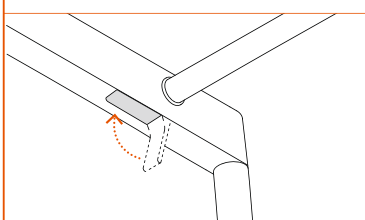
Included in the boxes:



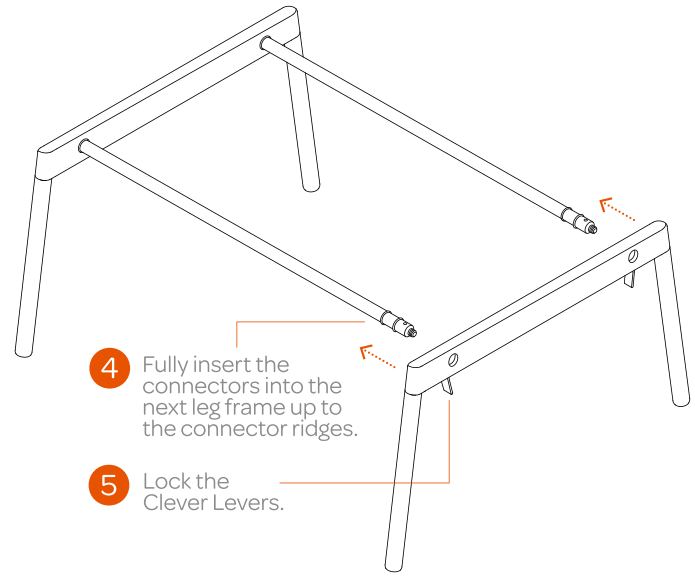
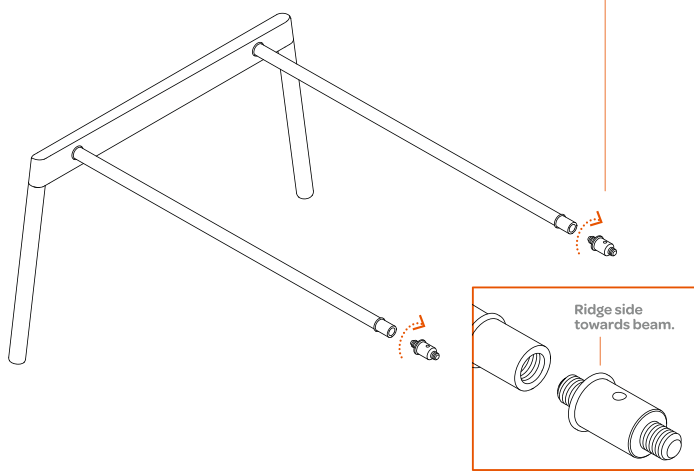
1 Grab a buddy. Stand one leg frame upright and insert beams until beam ridges touch leg frame.



2 Lock the Clever Levers to secure the two beams in place.

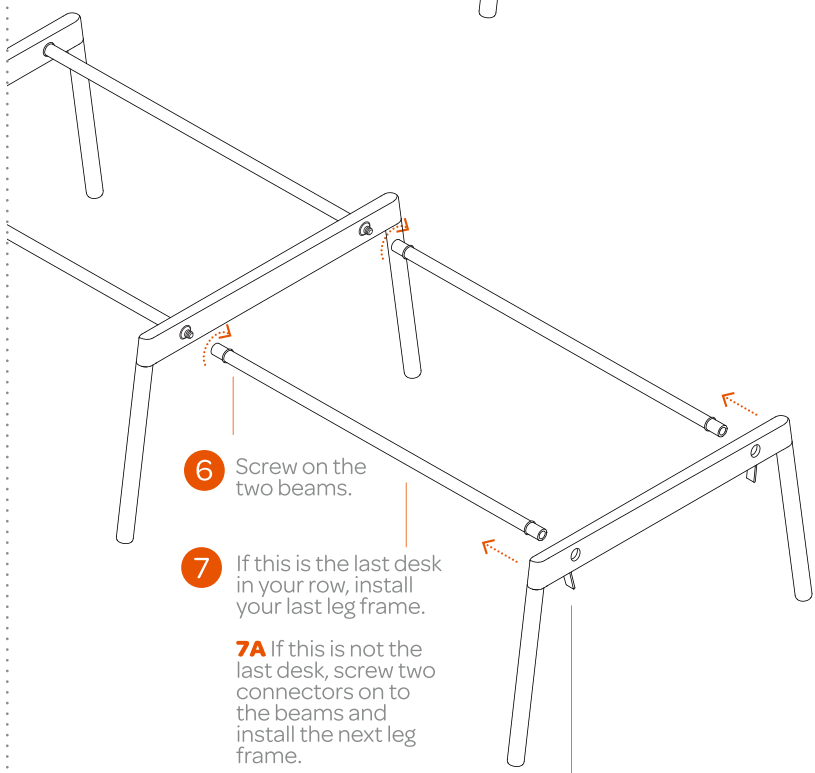


3 Screw connectors on to the two beams.



4 Fully insert the connectors into the next leg frame up to the connector ridges.

5 Lock the Clever Levers.

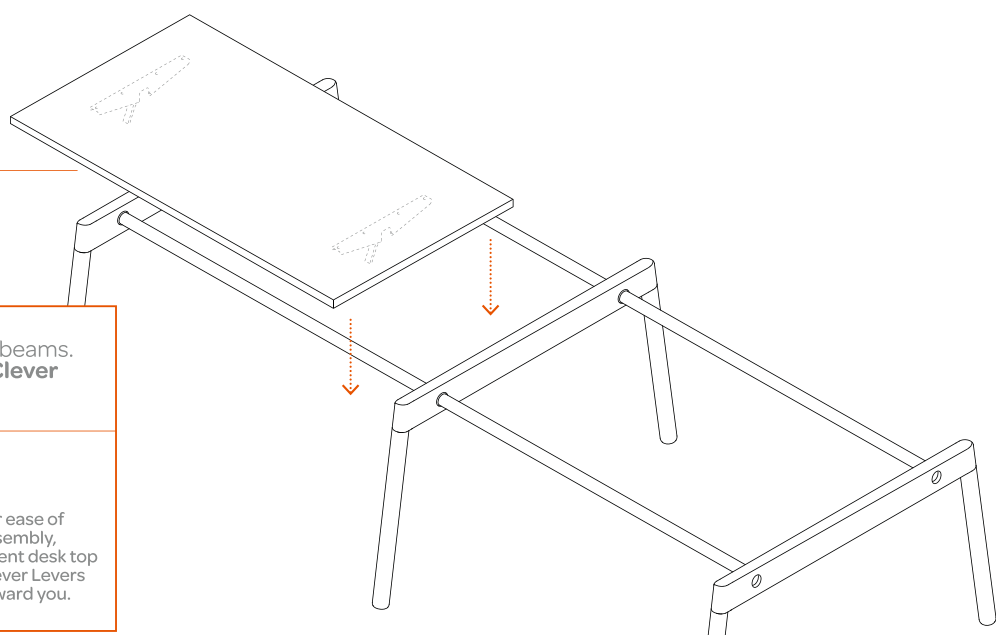


6 Screw on the two beams.

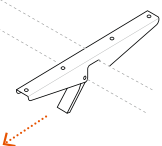
7 If this is the last desk in your row, install your last leg frame.

7A If this is not the last desk, screw two connectors on to the beams and install the next leg frame.

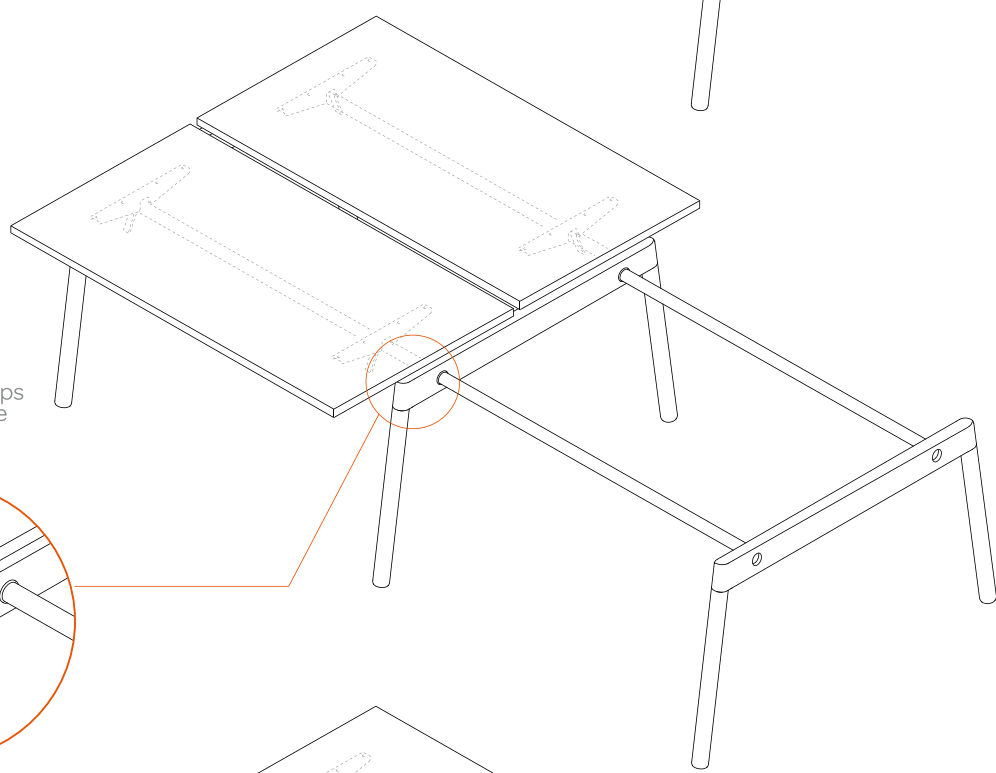
8 Lock the Clever Levers.



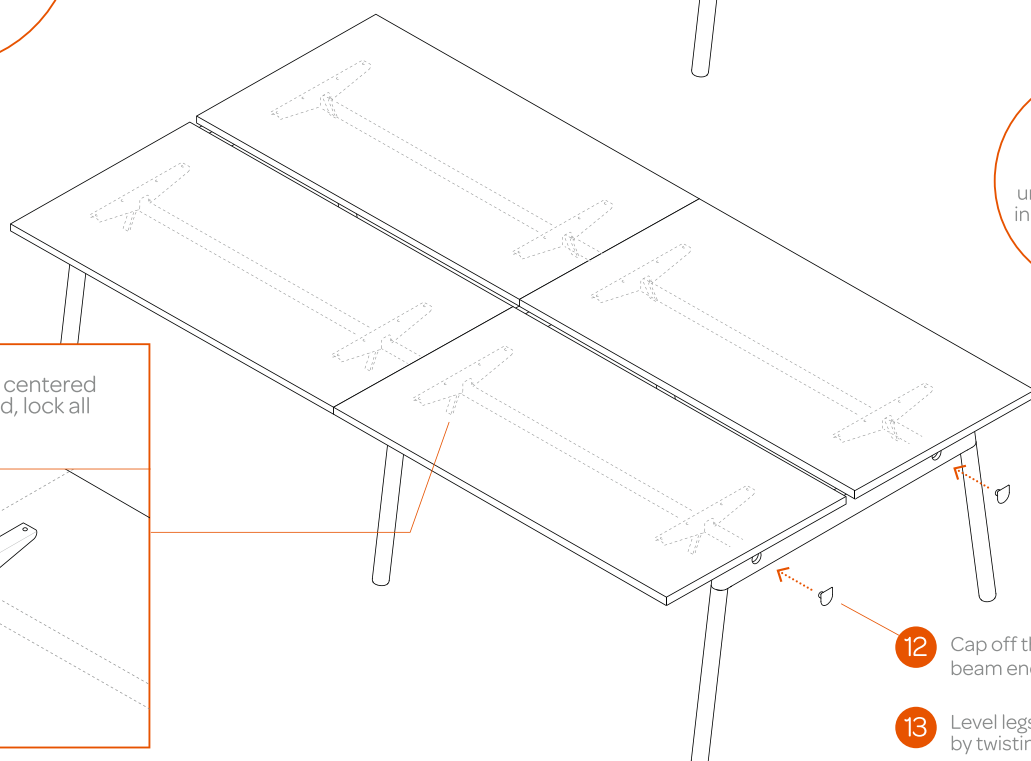
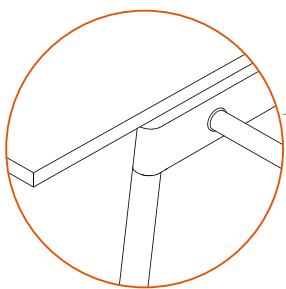
9 Lower tops on to beams. **(Don't lock the Clever Levers yet!)**



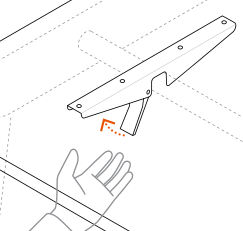
For ease of assembly, orient desk top Clever Levers toward you.



10 Align the desk tops so they share the center leg frame equally.



11 When all tops are centered and evenly spaced, lock all Clever Levers.



12 Cap off the beam ends.

13 Level legs if needed by twisting leg leveler.

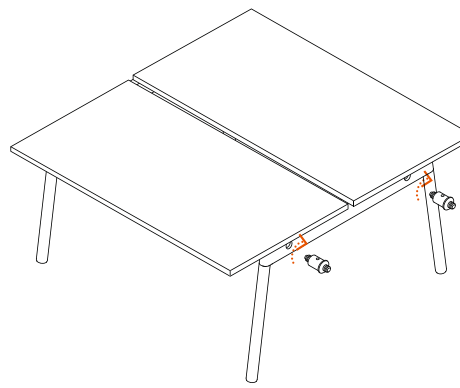
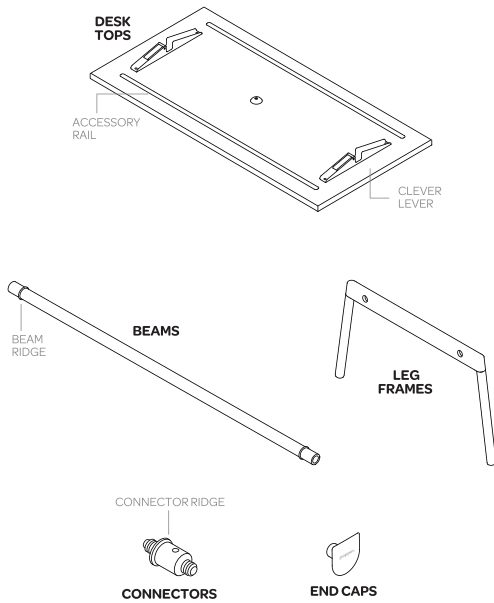
*** HEADS UP!**
You will have 2 unused connectors in this configuration.



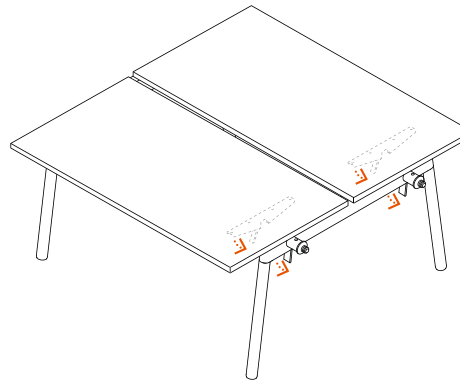
Let's grow together.



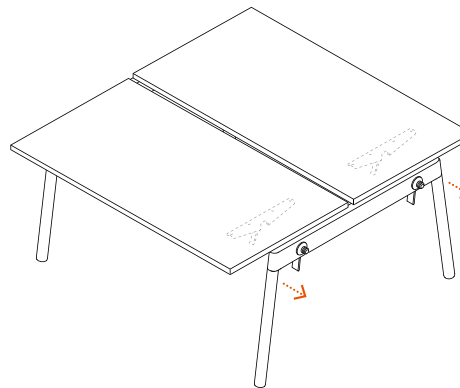
Included in the boxes:



1 Uncap one side, then screw in the connectors, ridge facing out.



2 Unlock the Clever Levers on the leg frame and the desk top Clever Levers shown.

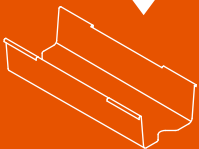


3 Shimmy the leg frame until it fits snugly against the connector ridge. The end of your desk top should now be in the middle of the leg frame.

Re-lock both the leg frame and desk top Clever Levers.

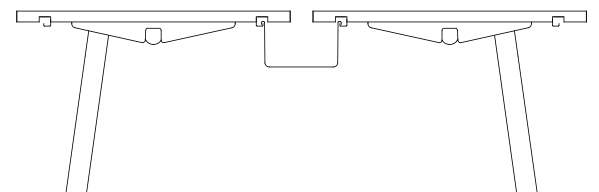
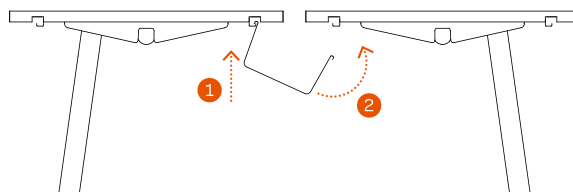
Continue on **page 7, step 6.**

I'll keep your secrets.



1 Hook one side of the Cable Hideaway into the accessory rail on the underside of the desk top. Tuck in your cables and cords.

2 Lift the open side into the accessory rail on the other desk top. Press the hooks in to secure with a click.



ABOUT POPPIN

Poppin's furniture and office supplies are designed with your success in mind. From a day-brightening Stapler to a game-changing Desk System, Poppin is the one-stop shop for creating inspiring, modern workspaces.

CARE

Laminate tops are tough guys, but they look best with a little TLC. Wipe up spills quickly, then clean with warm, soapy water and a soft cloth. For stubborn dirt, you can't beat a Mr. Clean Magic Eraser.

100% WORK HAPPINESS GUARANTEE

For full warranty + care details, visit poppin.com

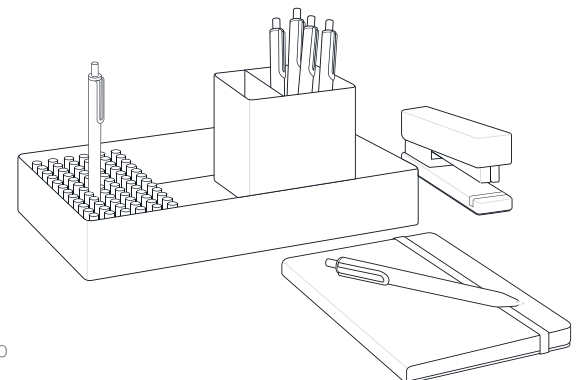
WARNING/DISCLAIMER

Heads up, daredevils! Failure to follow these assembly instructions can result in product failure, personal injury, or property damage.

We recommend performing an annual check up on your Desk System. Ensure that all Clever Levers are fully engaged and that all beam ridges and connector ridges are flush against the leg frame. If these conditions are not met, cease using the furniture until corrections are made.

May not be used as a surfboard or toboggan.

Shop the complete collection at poppin.com



Poppin, Inc.
New York, NY 10010

(888) 676-7746
workstylist@poppin.com
[@poppin#workhappy](https://twitter.com/poppin#workhappy)

For patent or patent application information visit poppin.com/patents

©Poppin 2015